

**WELD-PAD tubeskin thermocouple assembly  
Model TC59-W**

EN

**WELD-PAD-Rohroberflächen-Thermoelement  
Typ TC59-W**

DE

**Installation de thermocouple de peau WELD-PAD  
Type TC59-W**

FR

**Termopar para superficies de tubería WELD-PAD  
Modelo TC59-W**

ES



**WELD-PAD tubeskin thermocouple, model TC59-W**

<b>EN</b>	<b>Operating instructions model TC59-W</b>	<b>Page</b>	<b>3 - 20</b>
<b>DE</b>	<b>Betriebsanleitung Typ TC59-W</b>	<b>Seite</b>	<b>21 - 38</b>
<b>FR</b>	<b>Mode d'emploi type TC59-W</b>	<b>Page</b>	<b>39 - 56</b>
<b>ES</b>	<b>Manual de instrucciones modelo TC59-W</b>	<b>Página</b>	<b>57 - 73</b>

© 03/2016 WIKA Alexander Wiegand SE & Co. KG  
 All rights reserved. / Alle Rechte vorbehalten.  
 WIKA® is a registered trademark in various countries.  
 WIKA® ist eine geschützte Marke in verschiedenen Ländern.

Prior to starting any work, read the operating instructions!  
 Keep for later use!

Vor Beginn aller Arbeiten Betriebsanleitung lesen!  
 Zum späteren Gebrauch aufbewahren!

Lire le mode d'emploi avant de commencer toute opération !  
 A conserver pour une utilisation ultérieure !

¡Leer el manual de instrucciones antes de comenzar cualquier trabajo!  
 ¡Guardar el manual para una eventual consulta!

# Contents

<b>1. General information</b>	<b>4</b>
<b>2. Safety</b>	<b>5</b>
<b>3. Specifications</b>	<b>7</b>
<b>4. Design and function</b>	<b>9</b>
<b>5. Transport, packaging and storage</b>	<b>9</b>
<b>6. Commissioning, operation</b>	<b>10</b>
<b>7. Maintenance</b>	<b>18</b>
<b>8. Faults</b>	<b>18</b>
<b>9. Dismounting, return and disposal</b>	<b>19</b>

## 1. General information

- The thermocouple described in the operating instructions has been manufactured using state-of-the-art technology. All components are subject to stringent quality and environmental criteria during production. Our management systems are certified to ISO 9001 and ISO 14001.
- These operating instructions contain important information on handling the instrument. Working safely requires that all safety instructions and work instructions are observed.
- Observe the relevant local accident prevention regulations and general safety regulations for the instrument's range of use.
- The operating instructions are part of the product and must be kept in the immediate vicinity of the instrument and readily accessible to skilled personnel at any time.
- Skilled personnel must have carefully read and understood the operating instructions prior to beginning any work.
- The manufacturer's liability is void in the case of any damage caused by using the product contrary to its intended use, non-compliance with these operating instructions, assignment of insufficiently qualified skilled personnel or unauthorised modifications to the instrument.
- The general terms and conditions contained in the sales documentation shall apply.
- Subject to technical modifications.
- Further information:
  - Internet address: [www.wika.de / www.wika.com](http://www.wika.de / www.wika.com)
  - Relevant data sheet: TE 65.58
  - Application consultant: Tel.: +49 9372 132-0  
Fax: +49 9372 132-406  
info@wika.com

### Explanation of symbols



#### **WARNING!**

... indicates a potentially dangerous situation that can result in serious injury or death, if not avoided.



#### **CAUTION!**

... indicates a potentially dangerous situation that can result in light injuries or damage to equipment or the environment, if not avoided.



#### **Information**

... points out useful tips, recommendations and information for efficient and trouble-free operation.

# 1. General information / 2. Safety



## **DANGER!**

... identifies hazards caused by electric power. Should the safety instructions not be observed, there is a risk of serious or fatal injury.



## **WARNING!**

... indicates a potentially dangerous situation that can result in burns caused by hot surfaces or liquids, if not avoided.

EN

## 2. Safety



### **WARNING!**

Before installation, commissioning and operation, ensure that the appropriate thermocouple has been selected in terms of measuring range, design and specific measuring conditions.

Non-observance can result in serious injury and/or damage to the equipment.



Further important safety instructions can be found in the individual chapters of these operating instructions.

### 2.1 Intended use

These sensors are used for temperature measurement in industrial applications.

The instrument has been designed and built solely for the intended use and may only be used accordingly.

The technical specifications contained in these operating instructions must be observed. Improper handling or operation of the instrument outside of its technical specifications requires the instrument to be taken out of service immediately and inspected by an authorised WIKA service engineer.

The manufacturer shall not be liable for claims of any type based on operation contrary to the intended use.

### 2.2 Personnel qualification



#### **WARNING!**

#### **Risk of injury should qualification be insufficient!**

Improper handling can result in considerable injury and damage to equipment.

- The activities described in these operating instructions may only be carried out by skilled personnel who have the qualifications described below.
- Keep unqualified personnel away from hazardous areas.

### Skilled personnel

Skilled personnel are understood to be personnel who, based on their technical training, knowledge of measurement and control technology and on their experience and knowledge of country-specific regulations, current standards and directives, are capable of carrying out the work described and independently recognising potential hazards.

EN

Special installation conditions require further appropriate knowledge, e.g. routing a sensor within a furnace.

### 2.3 Special hazards



#### WARNING!

For hazardous media such as oxygen, acetylene, flammable or toxic gases or liquids etc., in addition to all standard regulations, the appropriate existing codes or regulations must also be followed.



#### WARNING!

Protection from electrostatic discharge (ESD) required.

The proper use of grounded work surfaces and personal wrist straps is required when working with exposed circuitry (printed circuit boards), in order to prevent static discharge from damaging sensitive electronic components.

To ensure safe working on the instrument, the operating company must ensure

- that suitable first-aid equipment is available and aid is provided whenever required.
- that the operating personnel are regularly instructed in all topics regarding work safety, first aid and environmental protection and knows the operating instructions and, in particular, the safety instructions contained therein.



#### WARNING!

Residual media in contact with dismantled instrument can result in a risk to persons, the environment and the equipment. Take sufficient precautionary measures.

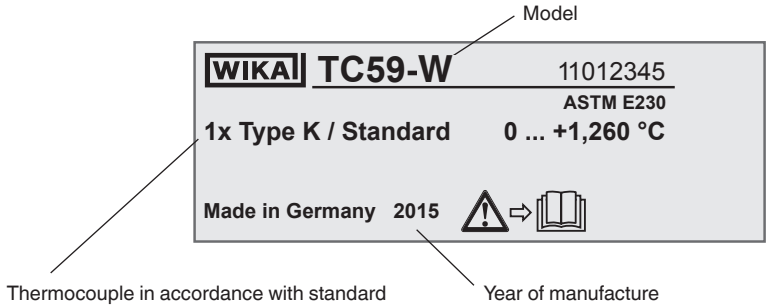
Do not use this instrument in safety or emergency stop devices. Incorrect use of the instrument can result in injury.

Should a failure occur, aggressive media with extremely high temperature may be present at the instrument.

## 2. Safety / 3. Specifications

### 2.4 Labelling, safety marks

#### Product label



#### Explanation of symbols



Before mounting and commissioning the instrument, ensure you read the operating instructions!

## 3. Specifications

#### Thermocouple types

Type	Recommended max. operating temperature	
	IEC 60584-1	ASTM E230
K	1,200 °C (2,192 °F)	1,260 °C (2,300 °F)
J	750 °C (1,382 °F)	760 °C (1,400 °F)
E	900 °C (1,652 °F)	870 °C (1,598 °F)
N	1,200 °C (2,192 °F)	1,260 °C (2,300 °F)

#### Tolerance value

A cold junction temperature of 0 °C (32 °F) is taken as basis with the definition of the tolerance value of thermocouples.

When using a compensating cable or thermocouple cable, an additional measuring error must be considered.

### 3. Specifications

#### Tolerance values of the thermocouples per IEC 60584 / ASTM E230

Type	Tolerance value	Class	Temperature range	Tolerance value
K N	IEC 60584-1	1	-40 ... +1,000 °C	$\pm 1.5\text{ °C}$ or $0.0040 \cdot  t $ <sup>1)2)</sup>
		2	-40 ... +1,200 °C	$\pm 2.5\text{ °C}$ or $0.0075 \cdot  t $
	ASTM E230	Special	0 ... +1,260 °C	$\pm 1.1\text{ °C}$ or $\pm 0.4\%$
		Standard	0 ... +1,260 °C	$\pm 2.2\text{ °C}$ or $\pm 0.75\%$
J	IEC 60584-1	1	-40 ... +750 °C	$\pm 1.5\text{ °C}$ or $0.0040 \cdot  t $
		2	-40 ... +750 °C	$\pm 2.5\text{ °C}$ or $0.0075 \cdot  t $
	ASTM E230	Special	0 ... +760 °C	$\pm 1.1\text{ °C}$ or $\pm 0.4\%$
		Standard	0 ... +760 °C	$\pm 2.2\text{ °C}$ or $\pm 0.75\%$
E	IEC 60584-1	1	-40 ... +800 °C	$\pm 1.5\text{ °C}$ or $0.0040 \cdot  t $
		2	-40 ... +900 °C	$\pm 2.5\text{ °C}$ or $0.0075 \cdot  t $
	ASTM E230	Special	0 ... +870 °C	$\pm 1.0\text{ °C}$ or $\pm 0.4\%$
		Standard	0 ... +870 °C	$\pm 1.7\text{ °C}$ or $\pm 0.5\%$

1) Itt is the value of the temperature in °C without consideration of the sign

2) The greater value applies

#### Limited error with selected temperatures in °C for thermocouples types K and N

Temperature (ITS 90) °C	Tolerance value IEC 60584-1	
	Class 1	Class 2
	°C	°C
0	$\pm 1.5$	$\pm 2.50$
100	$\pm 1.5$	$\pm 2.50$
200	$\pm 1.5$	$\pm 2.50$
300	$\pm 1.5$	$\pm 2.50$
400	$\pm 1.6$	$\pm 3.00$
500	$\pm 2.0$	$\pm 3.75$
600	$\pm 2.4$	$\pm 4.50$
700	$\pm 2.8$	$\pm 5.25$
800	$\pm 3.2$	$\pm 6.00$
900	$\pm 3.6$	$\pm 6.75$
1,000	$\pm 4.0$	$\pm 7.50$
1,100	-	$\pm 8.25$
1,200	-	$\pm 9.00$

Other thermocouple types on request

For further specifications see WIKA data sheet TE 65.58 or Technical information IN 00.23 and the order documentation.



### 4. Design and function

#### 4.1 Description

Model TC59-W WELD-PAD tubeskin thermocouple assemblies are designed to measure the temperature of tubes typically located within boilers, furnaces, heat exchangers and exterior piping.

The most important considerations for effective tubeskin design are repeatability, durability and accuracy. To achieve these functions the thermocouple must incorporate within its design excellent insulation properties, material compatibility and good physical contact with the tube. It must also have the ability to withstand high radiant temperatures and stresses, and in some cases harsh combustion chemistry.

With all tubeskin designs the correct installation is of prime importance. Incorrect attachment can ultimately lead to inaccurate temperature readings.

#### Sheathed cable

The sheathed cable (mineral-insulated cable, MI cable) is flexible. The minimum bending radius is 5 times the sheath diameter.

TC59-W can be assembled as cable probes or as sensors with a connection head. Optionally, a temperature transmitter can be built into the connection head. For this temperature transmitter, separate operating instructions will be enclosed.

#### 4.2 Scope of delivery

Cross-check scope of delivery with delivery note.

### 5. Transport, packaging and storage

#### 5.1 Transport

Check the instrument for any damage that may have been caused by transport. Obvious damage must be reported immediately.

#### 5.2 Packaging

Do not remove packaging until just before mounting.

Keep the packaging as it will provide optimum protection during transport (e.g. change in installation site, sending for repair).

### 5.3 Storage

#### Permissible conditions at the place of storage:

- Storage temperature: 0 ... 70 °C (32 ... 158 °F)
- Humidity: 35 ... 85 % relative humidity (no condensation)

EN

#### Avoid exposure to the following factors (terminal side, connection head):

- Direct sunlight or proximity to hot objects
- Mechanical vibration, mechanical shock (putting it down hard)
- Soot, vapour, dust and corrosive gases
- Potentially explosive environments, flammable atmospheres

Store the instrument in its original packaging in a location that fulfils the conditions listed above. If the original packaging is not available, pack and store the instrument as described below:

1. Place the instrument, along with shock-absorbent material, in the packaging.
2. If stored for a prolonged period of time (more than 30 days), place a bag, containing a desiccant, inside the packaging.

## 6. Commissioning, operation



#### WARNING!

When the thermocouple is installed, the temperature must not drop below the allowed operating temperature (environment, medium) or exceed it, even when taking convection and heat radiation into account!



#### WARNING!

Thermocouples must be earthed (grounded) if dangerous voltages could be expected at the connection wires (caused, for example, by mechanical damage, electrostatic discharge or induction)!

### 6.1 Installation scope

The following is a guide for installation of WELD-PAD tubeskin thermocouples. It gives guidelines and suggestions for preparation, installation, and welding WELD-PAD thermocouples. Due to the variety of applications some of the suggestions made here may not be appropriate. The end user must determine if these instructions are suitable for their unique application. Contact WIKA should you have any questions regarding the installation.

### 6.2 Before you start

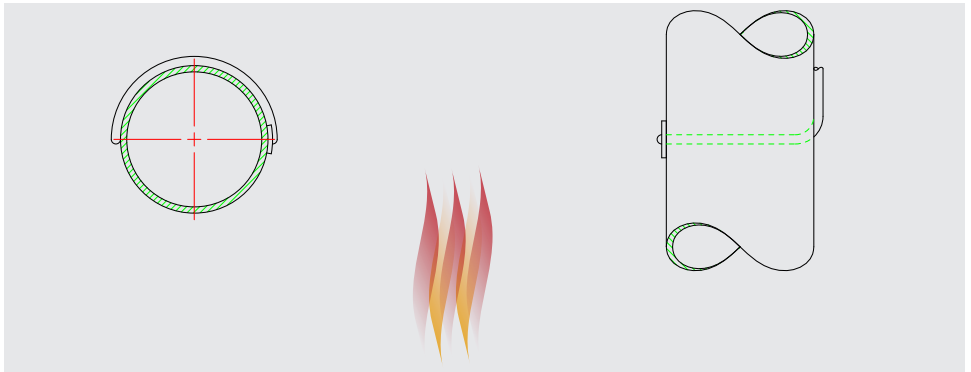
- Ensure there is enough MI cable to reach the termination box for each WELD-PAD, especially if on-site bending and expansion loops are required.
- Avoid passing MI cable through hot zones.
- Route the MI cable thermocouple in contact with the coolest side of the tube. This will substantially increase the life expectancy.
- Ensure all surfaces to be welded are cleaned by appropriate methods.
- When grinding always use clean abrasive materials that have not been used on other materials.
- A wire brush is not adequate to properly clean the tube.
- Test fit the WELD-PAD thermocouple at the desired location to ensure adequate length of MI cable was provided.
- Ensure all bending is correct and sufficient allowance is provided for tube movement.
- Based on the customer's weld procedure, determine the appropriate preheat, interpass and weld filler metal composition for the parent materials.
- Determine if controlled cooling or post weld heat treatment is required.

### Bend radius

Always use an appropriate tube bender for the corresponding diameter of MI cable. If bending by another means then use bends with radius equal to or greater than those on a tube bender. The minimum bend radius is 5 times the diameter of the MI cable.

### 6.3 Sensor positioning

The WELD-PAD must be located at the peak heat flux of the tube it is mounted on. This must be done to ensure the reading accuracy of the WELD-PAD. Remove scale and rust from the tube in the locations required for welding to the tube. The MI cable must route to the cool side of the tube from the sensor position.



## 6. Commissioning, operation

### 6.4 Tests/Checks

- Test loop resistance of the thermocouple circuit at ambient temperature prior to welding/routing the WELD-PAD, record results.
- After completing the welding/routing of the WELD-PAD to the tube, test loop resistance at ambient temperature and compare.
- ▶ If a deviation of greater than 5 % between readings occurs, please contact WIKA.
- Perform any non-destructive examination or heat treatment as required.
- Ensure adequate tube wall thickness at the weld locations. This can be checked by thickness testing to customer specifications.

### 6.5 Welding process

Gas Tungsten Arc Welding (GTAW) is the suggested welding process due to its relatively clean weld. During welding operation, the requirements of the relevant material data sheets and the applicable directives and standards must be considered regarding the heat treatment, filler rods or welding procedures. Proper installation is a major step in the success of a WELD-PAD installation. Although the WELD-PAD is one of the most rugged sensors available, it can be destroyed by improper welding.

### 6.6 WELD-PAD welding

- Locate the thermocouple at the appropriate location on the tube.
- Weld the thermocouple pad to the tube.
- Use 3.2 mm (1/8") fillet weld to weld 3 sides using one continuous pass (see figure 1).



#### **WARNING!**

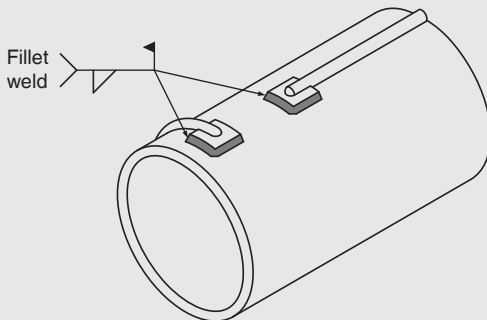
Do not weld the end where the sheath leaves the WELD-PAD.



#### **WARNING!**

Ensure the thermocouple tip is in contact with the furnace tube.

Figure 1: Welding details



## 6. Commissioning, operation

### 6.7 Tube clip welding

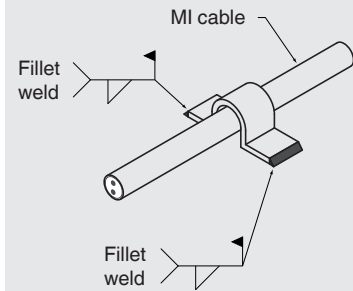
- Attach clips at predetermined locations. Preheat area before welding if required.



Weld tube clip ends only and ensure there is a loose fit (no friction) between the mineral-insulated cable and the clip (see figure 2).

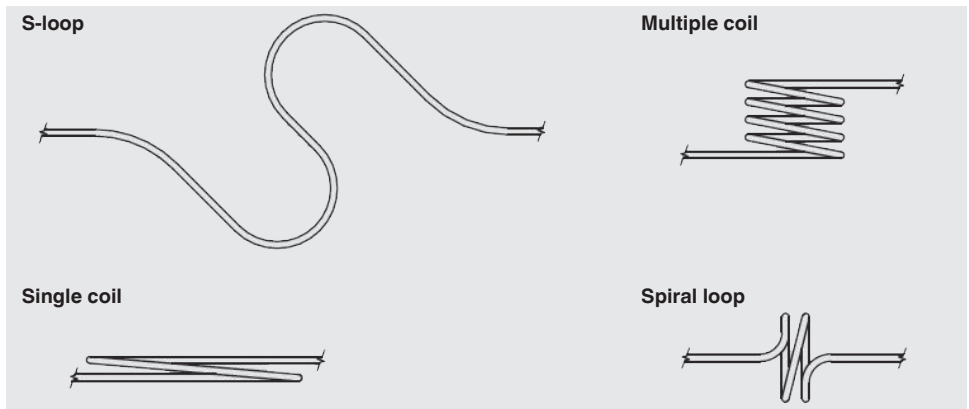
- The tube clip should allow axial expansion of the mineral-insulated cable.
- Weld clips maximum every 300 mm (12") to 450 mm (18") of run.

Figure 2: Tube clip welding



### 6.8 Expansion loops

Expansion loops should be designed to account for maximum tube movement from start up position to operating temperature. Loops should be designed in accordance with allowable space available. Examples of expansion loops are S-loop, multiple coil, single coil and spiral loop.



## 6. Commissioning, operation

### 6.9 Exiting the furnace

The sensor should exit the furnace as per installation requirements. MI cable must follow best practices for routing.

EN



#### WARNING!

Ensure the cable does not pass through direct flame.

#### 6.9.1 Fixed exit

Assemble the process neck extension as per the installation.

Install and tighten compression fitting to manufacturer's specifications, if included.



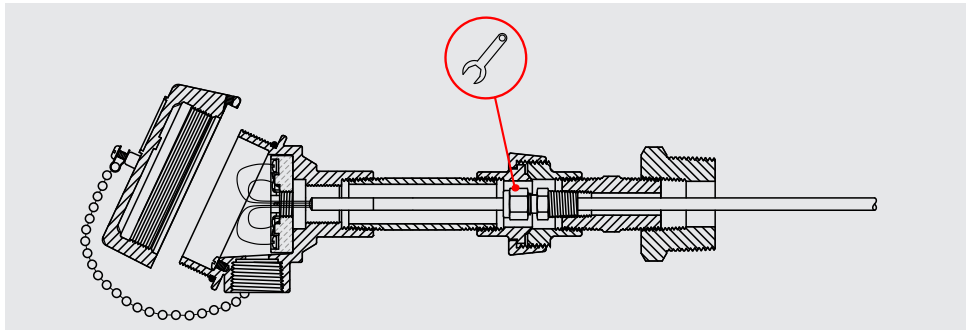
#### WARNING!

Do not place compression fitting on the thermocouple transition.

Assemble instrument neck extension as per the installation requirement.

If applicable, attach connection head.

Route sensor to termination location and complete electrical connection.



## 6. Commissioning, operation

### 6.9.2 Piston/Spring exit

Pack the exit orifice of the furnace wall with high-temperature ceramic fiber (kaowool) insulation to keep outside connections cool. Install plate and spring, tighten collar at desired location. Install split washers and pipe cap.

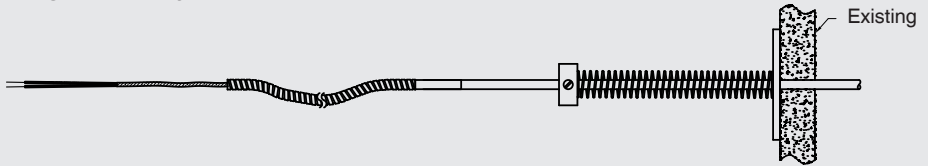


#### WARNING!

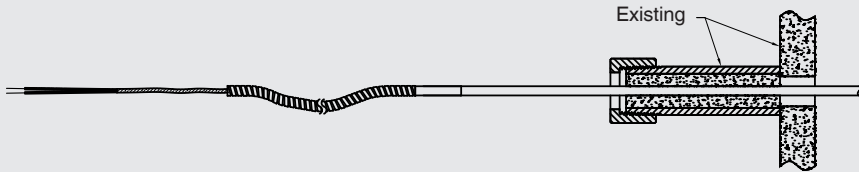
Ensure that the thermocouple transition does not exceed 175 °C (350 °F), the transition should be 152 mm (6") away from the furnace entry connection.

EN

#### Spring-loaded style



#### Piston style



# 6. Commissioning, operation

## 6.10 Electrical connection



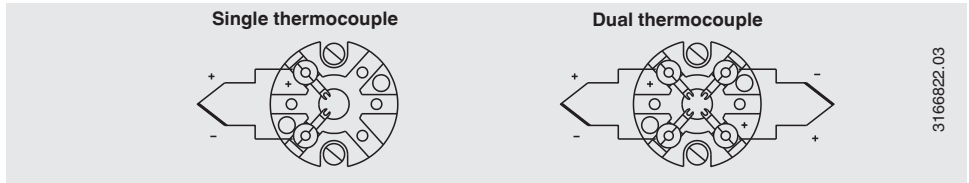
### CAUTION!

- Damage to cables, wires and connection points must be avoided.
- Flying leads with bare ends must be finished with ferrule ends (cable preparation).

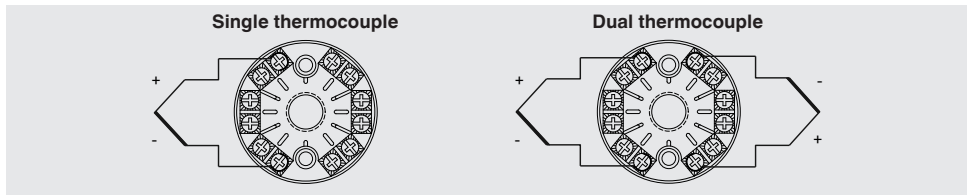
EN

The electrical connection is to be made according to the sensor connections/pin assignments shown below:

### Ceramic terminal block



### Crastin terminal block

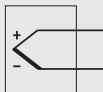


### Cable connection

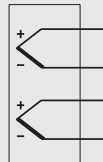
#### Cable

Colour coding of the wire ends see table

Single thermocouple



Dual thermocouple



3171966.01



## 6. Commissioning, operation

### Colour code of cable

#### ■ IEC 60584-3

Type of thermocouple	Positive leg	Negative leg
K	Green	White
J	Black	White
E	Violet	White
N	Pink	White

#### ■ ASTM E230

Type of thermocouple	Positive leg	Negative leg
K	Yellow	Red
J	White	Red
E	Violet	Red
N	Orange	Red

EN

### 6.11 Cable connections

The cable gland must be sealed to ensure that the required protection class is reached.

#### Requirements for meeting ingress protection

- Only use cable glands within their indicated clamping range (cable diameter suitable for the cable gland).
- Do not use the lower clamping area with very soft cable types.
- Only use circular cross-section cables (if necessary, slightly oval in cross-section).
- Do not twist the cable.
- Repeated opening/closing is possible; however only if necessary, as it might have a detrimental effect on the protection class.
- For cables with a pronounced cold-flow behaviour the screw connection must be fully tightened.



#### CAUTION!

Seal should be checked for signs of brittleness and, if necessary, replaced.

### 6.12 Tapered threads (NPT)

Connections with tapered threads (NPT) are self-sealing. It should be checked whether it may be necessary to seal them additionally with PTFE tape or thread sealant. The threads must be lubricated with a suitable lubricant before fitting.

Tighten the threads by hand when carrying out the final assembly in the plant. Correspond to the delivery status of the premounted components. The final tightening and sealing must be made with a wrench (1.5 to 3 rotations).

### 7. Maintenance

These thermocouples are maintenance-free.  
Repairs must only be carried out by the manufacturer.

EN

### 8. Faults

Faults	Causes	Measures
No signal/line breakage	Mechanical load too high or overtemperature	Replace probe or measuring insert with a suitable design
Erroneous measured values (of thermocouples)	Parasitic voltages (thermal voltages, galvanic voltage) or incorrect thermocouple cable type	Use the correct thermocouple cable type
Signal interference	Stray currents caused by electric fields or earth loops	Use of shielded connecting cables, increase in the distance to motors and power lines
	Earth circuits	Elimination of potentials, use of galvanically isolated transmitter supply isolators or transmitters



#### CAUTION!

If faults cannot be eliminated by means of the measures listed above, shut down the instrument immediately, and ensure that pressure and/or signal are no longer present, and secure the instrument from being put back into operation inadvertently. In this case, contact the manufacturer.

If a return is needed, please follow the instructions see chapter 9.2 "Return".

### 9. Dismounting, return and disposal

**WARNING!**

Residual media in the dismantled instrument can result in a risk to persons, the environment and equipment. Take sufficient precautionary measures.

#### 9.1 Dismounting

**WARNING!**

Risk of burns!

Let the instrument cool down sufficiently before dismantling it!

During dismantling there is a risk of dangerously hot pressure media escaping.

Only disconnect the instrument once the system has been depressurised!

#### 9.2 Return

**WARNING!**

**Strictly observe the following when shipping the instrument:**

All instruments delivered to WIKA must be free from any kind of hazardous substances (acids, bases, solutions etc.).

When returning the instrument, use the original packaging or a suitable transport package.

**To avoid damage:**

1. Place the instrument, along with the shock-absorbent material, in the packaging.  
Place shock-absorbent material evenly on all sides of the transport packaging.
2. If possible, place a bag, containing a desiccant, inside the packaging.
3. Label the shipment as transport of a highly sensitive measuring instrument.



Information on returns can be found under the heading “Service” on our local website.

#### 9.3 Disposal

Incorrect disposal can put the environment at risk.

Dispose of instrument components and packaging materials in an environmentally compatible way and in accordance with the country-specific waste disposal regulations.



# Inhalt

<b>1. Allgemeines</b>	<b>22</b>
<b>2. Sicherheit</b>	<b>23</b>
<b>3. Technische Daten</b>	<b>25</b>
<b>4. Aufbau und Funktion</b>	<b>27</b>
<b>5. Transport, Verpackung und Lagerung</b>	<b>27</b>
<b>6. Inbetriebnahme, Betrieb</b>	<b>28</b>
<b>7. Wartung</b>	<b>36</b>
<b>8. Störungen</b>	<b>36</b>
<b>9. Demontage, Rücksendung und Entsorgung</b>	<b>37</b>

## 1. Allgemeines

- Das in der Betriebsanleitung beschriebene Thermoelement wird nach dem aktuellen Stand der Technik gefertigt. Alle Komponenten unterliegen während der Fertigung strengen Qualitäts- und Umweltkriterien. Unsere Managementsysteme sind nach ISO 9001 und ISO 14001 zertifiziert.
- Diese Betriebsanleitung gibt wichtige Hinweise zum Umgang mit dem Gerät. Voraussetzung für sicheres Arbeiten ist die Einhaltung aller angegebenen Sicherheitshinweise und Handlungsanweisungen.
- Die für den Einsatzbereich des Gerätes geltenden örtlichen Unfallverhütungsvorschriften und allgemeinen Sicherheitsbestimmungen einhalten.
- Die Betriebsanleitung ist Produktbestandteil und muss in unmittelbarer Nähe des Gerätes für das Fachpersonal jederzeit zugänglich aufbewahrt werden.
- Das Fachpersonal muss die Betriebsanleitung vor Beginn aller Arbeiten sorgfältig durchgelesen und verstanden haben.
- Die Haftung des Herstellers erlischt bei Schäden durch bestimmungswidrige Verwendung, Nichtbeachten dieser Betriebsanleitung, Einsatz ungenügend qualifizierten Fachpersonals sowie eigenmächtiger Veränderung am Gerät.
- Es gelten die allgemeinen Geschäftsbedingungen in den Verkaufsunterlagen.
- Technische Änderungen vorbehalten.
- Weitere Informationen:
  - Internet-Adresse: [www.wika.de](http://www.wika.de) / [www.wika.com](http://www.wika.com)
  - Zugehöriges Datenblatt: TE 65.58
  - Anwendungsberater: Tel.: +49 9372 132-0  
Fax: +49 9372 132-406  
info@wika.de

### Symbolerklärung



#### **WARNUNG!**

... weist auf eine möglicherweise gefährliche Situation hin, die zum Tod oder zu schweren Verletzungen führen kann, wenn sie nicht gemieden wird.



#### **VORSICHT!**

... weist auf eine möglicherweise gefährliche Situation hin, die zu geringfügigen oder leichten Verletzungen bzw. Sach- und Umweltschäden führen kann, wenn sie nicht gemieden wird.



#### **Information**

... hebt nützliche Tipps und Empfehlungen sowie Informationen für einen effizienten und störungsfreien Betrieb hervor.



### **GEFAHR!**

... kennzeichnet Gefährdungen durch elektrischen Strom. Bei Nichtbeachtung der Sicherheitshinweise besteht die Gefahr schwerer oder tödlicher Verletzungen.



### **WARNUNG!**

... weist auf eine möglicherweise gefährliche Situation hin, die durch heiße Oberflächen oder Flüssigkeiten zu Verbrennungen führen kann, wenn sie nicht gemieden wird.

## 2. Sicherheit



### **WARNUNG!**

Vor Montage, Inbetriebnahme und Betrieb sicherstellen, dass das richtige Thermoelement hinsichtlich Messbereich, Ausführung und spezifischen Messbedingungen ausgewählt wurde.

Bei Nichtbeachten können schwere Körperverletzungen und/oder Sachschäden auftreten.



Weitere wichtige Sicherheitshinweise befinden sich in den einzelnen Kapiteln dieser Betriebsanleitung.

### 2.1 Bestimmungsgemäße Verwendung

Diese Sensoren dienen zur Temperaturmessung in industriellen Anwendungen.

Das Gerät ist ausschließlich für den bestimmungsgemäßen Verwendungszweck konzipiert und konstruiert und darf nur dementsprechend verwendet werden.

Die technischen Spezifikationen in dieser Betriebsanleitung sind einzuhalten. Eine unsachgemäße Handhabung oder ein Betreiben des Gerätes außerhalb der technischen Spezifikationen macht die sofortige Stilllegung und Überprüfung durch einen autorisierten WIKA-Serviceemitarbeiter erforderlich.

Ansprüche jeglicher Art aufgrund von nicht bestimmungsgemäßer Verwendung sind ausgeschlossen.

### 2.2 Personalqualifikation



### **WARNUNG!**

#### **Verletzungsgefahr bei unzureichender Qualifikation!**

Unsachgemäßer Umgang kann zu erheblichen Personen- und Sachschäden führen.

- Die in dieser Betriebsanleitung beschriebenen Tätigkeiten nur durch Fachpersonal nachfolgend beschriebener Qualifikation durchführen lassen.
- Unqualifiziertes Personal von den Gefahrenbereichen fernhalten.

### Fachpersonal

Das Fachpersonal ist aufgrund seiner fachlichen Ausbildung, seiner Kenntnisse der Mess- und Regelungstechnik und seiner Erfahrungen sowie Kenntnis der landesspezifischen Vorschriften, geltenden Normen und Richtlinien in der Lage, die beschriebenen Arbeiten auszuführen und mögliche Gefahren selbstständig zu erkennen.

Besondere Installationsbedingungen erfordern weitergehende Spezialkenntnisse, z. B. bei der Installation von Sensoren in Öfen.

DE

### 2.3 Besondere Gefahren



#### WARNUNG!

Bei gefährlichen Messstoffen wie z. B. Sauerstoff, Acetylen, brennbaren oder giftigen Gasen oder Flüssigkeiten etc., müssen über die allgemeinen Vorschriften hinaus auch die spezifischen Gesetze und Vorschriften beachtet werden.



#### WARNUNG!

Schutz vor elektrostatischer Entladung (ESD) erforderlich.  
Die ordnungsgemäße Verwendung geerdeter Arbeitsflächen und persönlicher Armbänder ist bei Arbeiten mit offenen Schaltkreisen (Leiterplatten) erforderlich, um die Beschädigung empfindlicher elektronischer Bauteile durch elektrostatische Entladung zu vermeiden.

Für ein sicheres Arbeiten am Gerät muss der Betreiber sicherstellen,

- dass eine entsprechende Erste-Hilfe-Ausrüstung vorhanden ist und bei Bedarf jederzeit Hilfe zur Stelle ist.
- dass das Bedienpersonal regelmäßig in allen zutreffenden Fragen von Arbeitssicherheit, Erste Hilfe und Umweltschutz unterwiesen wird, sowie die Betriebsanleitung und insbesondere die darin enthaltenen Sicherheitshinweise kennt.



#### WARNUNG!

Wenn Messstoffreste mit ausgebauten Messgeräten in Kontakt kommen, kann dies eine Gefährdung von Personen, Umwelt und Einrichtung darstellen. Ausreichende Vorsichtsmaßnahmen ergreifen.

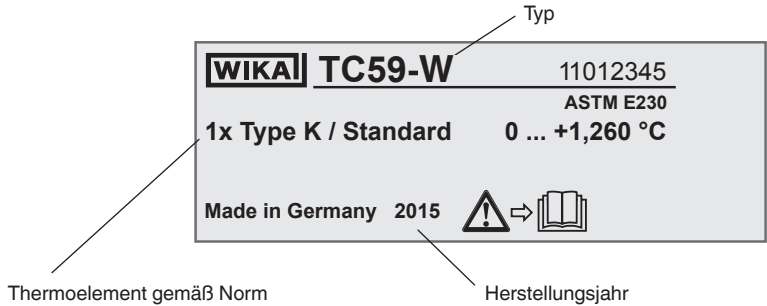
Dieses Gerät nicht in Sicherheits- oder in Not-Aus-Einrichtungen benutzen.  
Fehlerhafte Anwendungen des Gerätes können zu Verletzungen führen.

Am Gerät können im Fehlerfall aggressive Medien mit extremer Temperatur anliegen.



### 2.4 Beschilderung, Sicherheitskennzeichnungen

#### Typenschild



DE

#### Symbolerklärung



Vor Montage und Inbetriebnahme des Gerätes unbedingt die Betriebsanleitung lesen!

## 3. Technische Daten

#### Thermoelementarten

Typ	Empfohlene max. Betriebstemperatur	
	IEC 60584-1	ASTM E230
K	1.200 °C (2.192 °F)	1.260 °C (2.300 °F)
J	750 °C (1.382 °F)	760 °C (1.400 °F)
E	900 °C (1.652 °F)	870 °C (1.598 °F)
N	1.200 °C (2.192 °F)	1.260 °C (2.300 °F)

#### Grenzabweichung

Bei der Grenzabweichung von Thermoelementen ist eine Vergleichsstellentemperatur von 0 °C (32 °F) zugrunde gelegt.

Bei Verwendung einer Ausgleichs- oder Thermoleitung muss ein zusätzlicher Messfehler berücksichtigt werden.

### 3. Technische Daten

#### Grenzwabweichungen der Thermoelemente nach IEC 60584 / ASTM E230

Typ	Grenzwabweichung	Klasse	Temperaturbereich	Grenzwabweichung
K N	IEC 60584-1	1	-40 ... +1.000 °C	±1,5 °C oder 0,0040 ·  t  <sup>1)2)</sup>
		2	-40 ... +1.200 °C	±2,5 °C oder 0,0075 ·  t
	ASTM E230	Spezial	0 ... +1.260 °C	±1,1 °C oder ±0,4 %
		Standard	0 ... +1.260 °C	±2,2 °C oder ±0,75 %
J	IEC 60584-1	1	-40 ... +750 °C	±1,5 °C oder 0,0040 ·  t
		2	-40 ... +750 °C	±2,5 °C oder 0,0075 ·  t
	ASTM E230	Spezial	0 ... +760 °C	±1,1 °C oder ±0,4 %
		Standard	0 ... +760 °C	±2,2 °C oder ±0,75 %
E	IEC 60584-1	1	-40 ... +800 °C	±1,5 °C oder 0,0040 ·  t
		2	-40 ... +900 °C	±2,5 °C oder 0,0075 ·  t
	ASTM E230	Spezial	0 ... +870 °C	±1,0 °C oder ±0,4 %
		Standard	0 ... +870 °C	±1,7 °C oder ±0,5 %

1) |t| ist der Zahlenwert der Temperatur in °C ohne Berücksichtigung des Vorzeichens

2) Der größere Wert gilt

Begrenzter Messfehler für ausgewählte Temperaturen in °C für Thermoelemente der Typen K und N

Temperatur (ITS 90) °C	Grenzwabweichung IEC 60584-1	
	Klasse 1 °C	Klasse 2 °C
0	±1,5	±2,50
100	±1,5	±2,50
200	±1,5	±2,50
300	±1,5	±2,50
400	±1,6	±3,00
500	±2,0	±3,75
600	±2,4	±4,50
700	±2,8	±5,25
800	±3,2	±6,00
900	±3,6	±6,75
1.000	±4,0	±7,50
1.100	-	±8,25
1.200	-	±9,00

Andere Thermoelementarten auf Anfrage

Weitere technische Daten siehe WIKA Datenblatt TE 65.58 oder Technische Information IN 00.23 und Bestellunterlagen.

### 4. Aufbau und Funktion

#### 4.1 Beschreibung

WELD-PAD-Rohroberflächen-Thermoelemente des Typs TC59-W sind für die Temperaturmessung von Rohren ausgelegt, die sich üblicherweise in Kesseln, Industrieöfen, Wärmetauschern und äußeren Rohrsystemen befinden.

Die wichtigsten Eigenschaften für ein effektives Thermoelement-Design sind Wiederholbarkeit, Langlebigkeit und Genauigkeit. Um diese funktionellen Eigenschaften umzusetzen, muss das Thermoelement mit einer hervorragenden Wärmeisolation ausgestattet werden und das verwendete Material muss kompatibel sein sowie guten Kontakt mit dem Rohr haben. Außerdem muss es starker Wärmestrahlung und mechanischen Belastungen sowie in manchen Fällen auch den starken Belastungen chemischer Verbrennungsprozesse standhalten.

Bei allen Rohroberflächen-Konstruktionen ist die korrekte Installation von größter Wichtigkeit. Eine fehlerhafte Installation kann zu verfälschten Temperaturmessungen führen.

#### Mantelleitung

Die Mantelleitung (mineralisierte Leitung, MI-Leitung) ist biegsam. Der minimale Biegeradius beträgt das 5-fache des Manteldurchmessers.

TC59-W können als Kabelfühler oder als Sensoren mit Anschlusskopf aufgebaut werden. Optional kann ein Temperatur-Transmitter im Anschlusskopf eingebaut werden. Für diesen Temperatur-Transmitter wird eine eigene Betriebsanleitung beigelegt.

#### 4.2 Lieferumfang

Lieferumfang mit dem Lieferschein abgleichen.

## 5. Transport, Verpackung und Lagerung

#### 5.1 Transport

Gerät auf eventuell vorhandene Transportschäden untersuchen.  
Offensichtliche Schäden unverzüglich mitteilen.

#### 5.2 Verpackung

Verpackung erst unmittelbar vor der Montage entfernen.  
Die Verpackung aufbewahren, denn diese bietet bei einem Transport einen optimalen Schutz (z. B. wechselnder Einbauort, Reparatursendung).

### 5.3 Lagerung

#### Zulässige Bedingungen am Lagerort:

- Lagertemperatur: 0 ... 70 °C (32 ... 158 °F)
- Feuchtigkeit: 35 ... 85 % relative Feuchte (keine Betauung)

#### Folgende Einflüsse sind zu vermeiden (Klemmenseite, Anschlusskopf):

- Direktes Sonnenlicht oder Nähe zu heißen Gegenständen
- Mechanische Vibration, mechanischer Schock (hartes Aufstellen)
- Ruß, Dampf, Staub und korrosive Gase
- Explosionsfähige Umgebungen, entflammbare Atmosphären

Das Gerät in der Originalverpackung an einem Ort, der die oben gelisteten Bedingungen erfüllt, lagern. Wenn die Originalverpackung nicht vorhanden ist, dann das Gerät wie folgt verpacken und lagern:

1. Das Gerät mit dem Dämmmaterial in der Verpackung platzieren.
2. Bei längerer Einlagerung (mehr als 30 Tage) einen Beutel mit Trocknungsmittel der Verpackung beilegen.

DE

## 6. Inbetriebnahme, Betrieb



#### WARNUNG!

Bei der Montage des Thermoelements die zulässige Betriebstemperatur (Umgebung, Messstoff), auch unter Berücksichtigung von Konvektion und Wärmestrahlung nicht unter- oder überschreiten!



#### WARNUNG!

Thermoelemente müssen geerdet sein, wenn an den Anschlussdrähten mit gefährlichen Spannungen zu rechnen ist (hervorgerufen z. B. durch mechanische Beschädigung, elektrostatische Entladung oder Induktion)!

### 6.1 Installationsumfang

Das vorliegende Dokument ist ein Leitfaden für die Installation von WELD-PAD-Rohroberflächen-Thermoelementen. Es enthält Anweisungen und Hinweise zur Vorbereitung, Installation und Verschweißung von WELD-PAD-Thermoelementen. Aufgrund der großen Bandbreite von Anwendungen sind einige der aufgeführten Hinweise unter Umständen nicht zutreffend. Der Anwender muss entscheiden, ob diese Anweisungen für die jeweilige Anwendung geeignet sind. Wenn Sie Fragen zur Installation haben, wenden Sie sich bitte an WIKA.

### 6.2 Vor Beginn

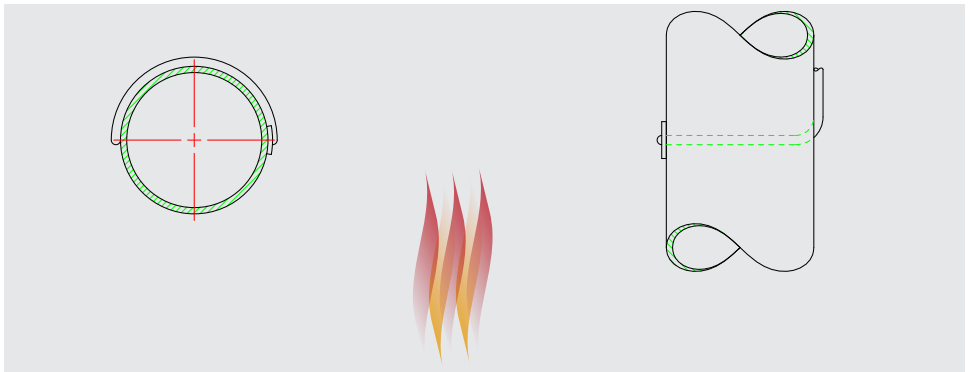
- Sicherstellen, dass für alle WELD-PAD-Thermoelemente ausreichend MI-Leitung zum Anschluss am Abschlusskasten zur Verfügung steht. Dies gilt insbesondere dann, wenn am Einsatzort Biegungen und Ausdehnungsschleifen erforderlich sind.
- Eine Verlegung von MI-Leitungen durch heiße Bereiche vermeiden.
- Die MI-Leitung des Thermoelementes entlang der kältesten Rohrseite verlegen. Dies erhöht die Lebensdauer erheblich.
- Sicherstellen, dass alle zu schweißenden Oberflächen mit geeigneten Methoden gereinigt werden.
- Beim Schleifen immer reine, abrasive Werkstoffe verwenden, die zuvor nicht für andere Werkstoffe verwendet wurden.
- Drahtbürsten sind zur angemessenen Reinigung des Rohres nicht geeignet.
- Das WELD-PAD-Thermoelement am gewünschten Installationsort anlegen, um sicherzustellen, dass die MI-Leitung die richtige Länge hat.
- Sicherstellen, dass alle Biegungen korrekt sind und für Bewegungen des Rohres ausreichend Aufmaß vorgesehen wurde.
- Die für das Schweißverfahren geeignete Vorwärmung, Zwischenlagen und die Zusammensetzung der Schweißzusätze für die Grundwerkstoffe ermitteln.
- Prüfen, ob eine kontrollierte Kühlung oder eine Wärmebehandlung nach dem Schweißen erforderlich ist.

### Biegeradius

Zum Biegen der MI-Leitung auf den gewünschten Radius immer einen geeigneten Rohrbieger verwenden. Wenn mit anderen Mitteln gebogen wird, Radien verwenden, die dem Radius eines Rohrbiegers entsprechen oder größer sind. Der minimale Biegeradius beträgt das 5-fache des Durchmessers der MI-Leitung.

### 6.3 Sensorpositionierung

Das WELD-PAD muss mit Bezug auf die Brenner am Punkt des Rohres mit dem größten Wärmestrom positioniert werden. Dies ist erforderlich, um die Messgenauigkeit des WELD-PAD sicherzustellen. Entfernen Sie an den zu schweißenden Stellen Zunder und Rost vom Rohr. Die MI-Leitung muss von der Sensorposition zur kalten Rohrseite führen.



### 6.4 Prüfungen

- Vor dem Schweißen/Verlegen den Schleifenwiderstand des Thermoelement-Schaltkreises des WELD-PAD bei Umgebungstemperatur prüfen und die Ergebnisse notieren.
- Nach dem Schweißen/Verlegen des WELD-PAD am Rohr den Schleifenwiderstand bei Umgebungstemperatur prüfen und die Ergebnisse vergleichen.
- ▶ Wenn die Messwerte um mehr als 5 % voneinander abweichen, wenden Sie sich bitte an WIKA.
- Je nach Anforderung zerstörungsfreie Prüfungen oder Wärmebehandlungen durchführen.
- An den Schweißstellen eine ausreichende Wandstärke des Rohres sicherstellen. Dies kann nach Kundenforderungen mit einer Prüfung der Wandstärke erfolgen.

### 6.5 Schweißprozess

Aufgrund der relativ sauberen Schweißung wird Wolfram-Inertgas-Lichtbogenschweißen (WIG) als Schweißverfahren empfohlen. Bei den Schweißarbeiten die Angaben aus den jeweiligen Werkstoffdatenblättern und den einschlägigen Richtlinien und Normen bezüglich der Wärmebehandlung, Schweißzusätzen oder Schweißverfahren beachten. Eine ordnungsgemäße Installation ist ein wesentlicher Beitrag zum Erfolg einer WELD-PAD-Installation. Obwohl das WELD-PAD einer der stabilsten verfügbaren Sensoren ist, kann es durch nicht sachgemäßes Schweißen zerstört werden.

### 6.6 WELD-PAD schweißen

- Thermoelement an der richtigen Stelle auf dem Rohr positionieren.
- Befestigungspad an das Rohr schweißen.
- Mit einer Kehlnaht von 3,2 mm (1/8") 3 Seiten in einem Durchgang schweißen (siehe Abbildung 1).



#### **WARNUNG!**

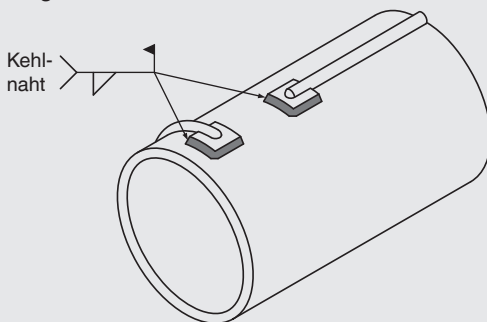
Das Ende, an dem die Ummantelung aus dem WELD-PAD austritt, nicht verschweißen.



#### **WARNUNG!**

Sicherstellen, dass die Thermoelementspitze das Ofenrohr berührt.

Abbildung 1: Schweißdetails



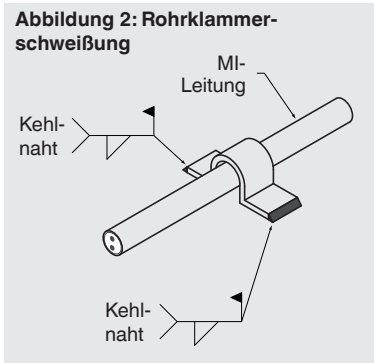
### 6.7 Rohrklammerschweißung

- Die Klammern an den vorgegebenen Positionen befestigen. Den Bereich vor dem Schweißen vorwärmen, sofern erforderlich.



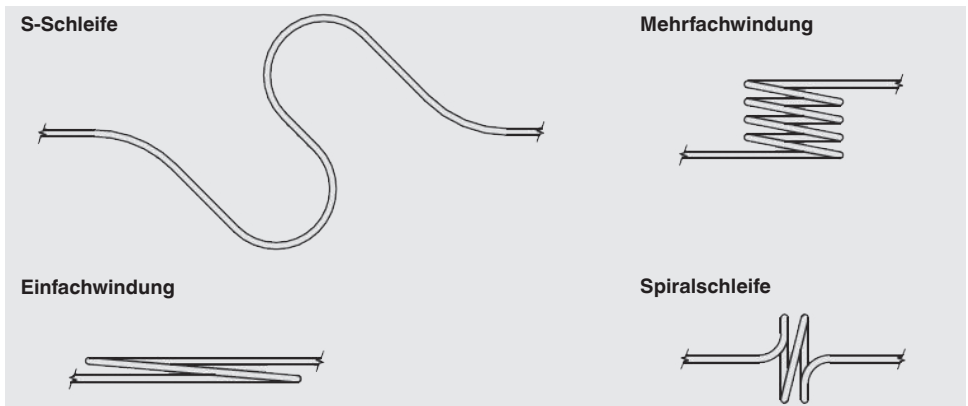
Nur die Enden der Rohrklammern schweißen und sicherstellen, dass zwischen der MI-Leitung und der Klammer (siehe Abbildung 2) etwas Spiel vorhanden ist (keine Reibung).

- Die Rohrklammer muss eine axiale Ausdehnung der MI-Leitung ermöglichen.
- Die Klammern alle 300 mm (12") bis 450 mm (18") auf der Rohrlänge anschweißen.



### 6.8 Ausdehnungsschleifen

Ausdehnungsschleifen sollten so ausgeführt sein, dass sie eine maximale Rohrbewegung von der Startposition bis zur Betriebstemperatur ermöglichen. Die Schleifen sollten entsprechend dem zur Verfügung stehenden Platz ausgeführt sein. Beispiele für Ausdehnungsschleifen sind die S-Schleife, Mehrfachwindung, Einfachwindung und Spiralschleife.



### 6.9 Abgang aus dem Ofen

Der Sensor sollte den Ofen entsprechend der Installationsanforderungen verlassen. Die MI-Leitung muss entsprechend empfohlener Verfahren verlegt werden.



#### **WARNUNG!**

Stellen Sie sicher, dass das Kabel nicht direkt durch Flammen geführt wird.

DE

#### 6.9.1 Fest installierter Abgang

Die Prozess-Halsverlängerung entsprechend der Installationsanforderungen montieren. Die Klemmverschraubung entsprechend der Herstellervorgaben, sofern diese mitgeliefert wurden, installieren und anziehen.



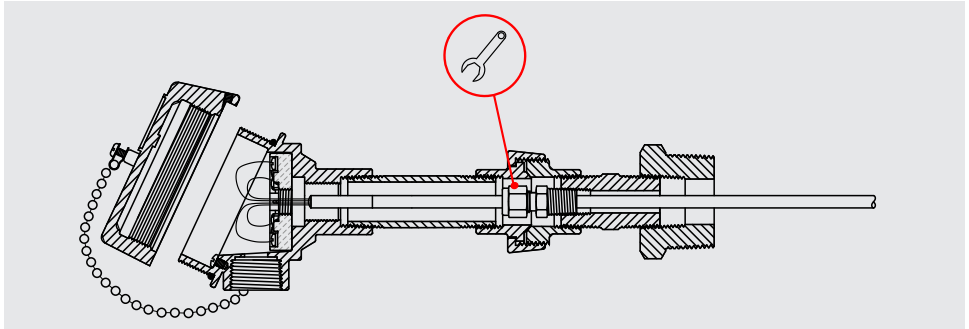
#### **WARNUNG!**

Die Klemmverschraubung nicht am Übergang des Thermoelements positionieren.

Halsverlängerung entsprechend der Installationsanforderungen montieren.

Den Anschlusskopf verbinden, sofern zutreffend.

Den Sensor mit der Abschlussstelle verbinden und den elektrischen Anschluss abschließen.





### 6.9.2 Ausgang für Kolben/Feder

Die Ausgangsöffnung in der Ofenwand mit einer Isolierung aus temperaturbeständigen Keramikfasern (Kaowool) füllen, um die äußeren Anschlüsse kühl zu halten. Die Platte und die Feder installieren und den Bund an der gewünschten Stelle anziehen. Die Federringe und den Rohrverschluss installieren.

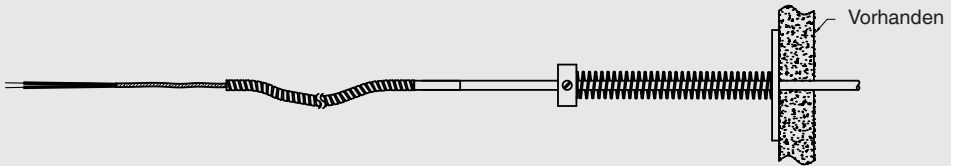


#### WARNUNG!

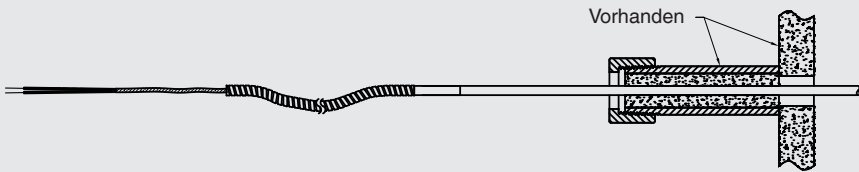
Sicherstellen, dass am Übergang des Thermoelementes keine Temperaturen über 175 °C (350 °F) auftreten und dass der Übergang 152 mm (6") vom Eingangsanschluss des Ofens entfernt ist.

DE

#### Gefederte Variante



#### Kolbentyp



## 6.10 Elektrischer Anschluss



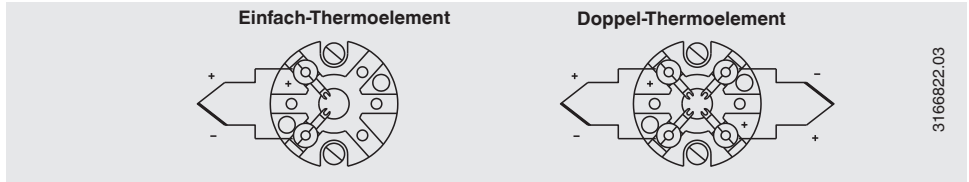
### VORSICHT!

- Beschädigung an Kabeln und Leitungen, sowie Verbindungsstellen vermeiden.
- Freie Kabelenden mit Aderendhülsen versehen (Kabelkonfektionierung).

Elektrischer Anschluss gemäß nachfolgend aufgezeigter Sensoranschlüsse/Klemmenbelegungen:

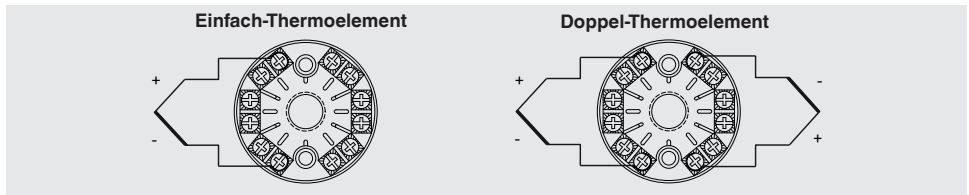
DE

### Keramik-Klemmsockel



3166822.03

### Crastin-Klemmsockel

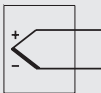


### Kabelanschluss

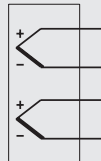
#### Kabel

Farbkennzeichnung der Aderenden siehe Tabelle

#### Einfach-Thermoelement



#### Doppel-Thermoelement



3171966.01

### Farbkennzeichnung der Kabel

#### ■ IEC 60584-3

Thermoelementart	Positiver Schenkel	Negativer Schenkel
K	Grün	Weiß
J	Schwarz	Weiß
E	Violett	Weiß
N	Rosa	Weiß

#### ■ ASTM E230

Thermoelementart	Positiver Schenkel	Negativer Schenkel
K	Gelb	Rot
J	Weiß	Rot
E	Violett	Rot
N	Orange	Rot

### 6.11 Kabelverschraubungen

Die Abdichtung der Kabelverschraubung muss erfolgen, damit die erforderliche Schutzart erreicht wird.

#### Voraussetzungen zur Erreichung der Schutzart

- Kabelverschraubung nur im angegebenen Klemmbereich verwenden (Kabeldurchmesser passend zur Kabelverschraubung).
- Bei Verwendung sehr weicher Kabeltypen nicht den unteren Klemmbereich verwenden.
- Nur Rundkabel verwenden (ggf. leicht ovaler Querschnitt).
- Kabel nicht verdrillen.
- Mehrmaliges Öffnen/Schließen ist möglich; hat ggf. jedoch negative Auswirkungen auf die Schutzart.
- Bei Kabeln mit ausgeprägtem Kaltfließverhalten Verschraubung nachziehen.



#### VORSICHT!

Dichtungen sind auf Versprödungen zu überprüfen und ggf. zu ersetzen.

### 6.12 Kegelige Gewinde (NPT)

Verbindungen mit kegeligen Gewinden (NPT) sind selbstdichtend. Die Notwendigkeit einer zusätzlichen Dichtung mittels PTFE-Band oder Gewindedichtmittel ist zu prüfen. Die Gewinde sollten vor der Montage mit einem geeigneten Mittel geschmiert werden.

Bei der Endmontage in der Anlage sind die Gewinde zunächst handfest anzuziehen. Das entspricht auch dem Auslieferungszustand bei vormontierten Zusammenbauten. Die Endfestigkeit und Dichtheit muss mit 1,5 bis 3 Schraubenschlüssel-Umdrehungen hergestellt werden.

### 7. Wartung

Diese Thermoelemente sind wartungsfrei.  
Reparaturen sind ausschließlich vom Hersteller durchzuführen.

### 8. Störungen

Störungen	Ursachen	Maßnahmen
Kein Signal/ Leistungsbruch	Zu hohe mechanische Belastung oder Übertemperatur	Fühler oder Messeinsatz durch eine geeignete Ausführung ersetzen
Fehlerhafte Messwerte (bei Thermoelementen)	Parasitäre Spannungen (Thermospannungen, galvanische Spannung) oder falsche Thermoleitung	Verwenden Sie den korrekten Kabeltyp für das Thermoelement.
Signal gestört	Einstreuung durch elektrische Felder oder Erdschleifen	Verwendung von geschirmten Anschlussleitungen, Erhöhung des Abstandes zu Motoren und leistungsführenden Leitungen
	Erdschleifen	Beseitigung von Potentialen, Verwendung von galvanisch getrennten Barrieren oder Transmittern



#### VORSICHT!

Können Störungen mit Hilfe der oben aufgeführten Maßnahmen nicht beseitigt werden, ist das Gerät unverzüglich außer Betrieb zu setzen, sicherzustellen, dass kein Druck bzw. Signal mehr anliegt und gegen versehentliche Inbetriebnahme zu schützen.

In diesem Falle Kontakt mit dem Hersteller aufnehmen.

Bei notwendiger Rücksendung bitte die Hinweise unter Kapitel 9.2 „Rücksendung“ beachten.

### 9. Demontage, Rücksendung und Entsorgung



#### **WARNUNG!**

Messstoffreste im ausgebauten Gerät können zur Gefährdung von Personen, Umwelt und Einrichtung führen. Ausreichende Vorsichtsmaßnahmen ergreifen.

#### 9.1 Demontage



#### **WARNUNG!**

Verbrennungsgefahr!

Vor dem Ausbau das Gerät ausreichend abkühlen lassen!

Beim Ausbau besteht Gefahr durch austretende, gefährlich heiße Messstoffe.

Gerät nur im drucklosen Zustand demontieren!

#### 9.2 Rücksendung



#### **WARNUNG!**

**Beim Versand des Gerätes unbedingt beachten:**

Alle an WIKA gelieferten Geräte müssen frei von Gefahrstoffen (Säuren, Laugen, Lösungen, etc.) sein.

Zur Rücksendung des Gerätes die Originalverpackung oder eine geeignete Transportverpackung verwenden.

#### **Um Schäden zu vermeiden:**

1. Das Gerät mit dem Dämmmaterial in der Verpackung platzieren.  
Zu allen Seiten der Transportverpackung gleichmäßig dämmen.
2. Wenn möglich einen Beutel mit Trocknungsmittel der Verpackung beifügen.
3. Sendung als Transport eines hochempfindlichen Messgerätes kennzeichnen.



Hinweise zur Rücksendung befinden sich in der Rubrik „Service“ auf unserer lokalen Internetseite.

#### 9.3 Entsorgung

Durch falsche Entsorgung können Gefahren für die Umwelt entstehen.

Gerätekomponenten und Verpackungsmaterialien entsprechend den landesspezifischen Abfallbehandlungs- und Entsorgungsvorschriften umweltgerecht entsorgen.



# Sommaire

<b>1. Généralités</b>	<b>40</b>
<b>2. Sécurité</b>	<b>41</b>
<b>3. Spécifications</b>	<b>43</b>
<b>4. Conception et fonction</b>	<b>45</b>
<b>5. Transport, emballage et stockage</b>	<b>45</b>
<b>6. Mise en service, utilisation</b>	<b>46</b>
<b>7. Entretien</b>	<b>54</b>
<b>8. Dysfonctionnements</b>	<b>54</b>
<b>9. Démontage, retour et mise au rebut</b>	<b>55</b>

## 1. Généralités

- Le thermocouple décrit dans le mode d'emploi est fabriqué selon les dernières technologies en vigueur. Tous les composants sont soumis à des exigences environnementales et de qualité strictes durant la fabrication. Nos systèmes de gestion sont certifiés selon ISO 9001 et ISO 14001.
- Ce mode d'emploi donne des indications importantes concernant l'utilisation de l'instrument. Il est possible de travailler en toute sécurité avec ce produit en respectant toutes les consignes de sécurité et d'utilisation.
- Respecter les prescriptions locales de prévention contre les accidents et les prescriptions générales de sécurité en vigueur pour le domaine d'application de l'instrument.
- Le mode d'emploi fait partie de l'instrument et doit être conservé à proximité immédiate de l'instrument et accessible à tout moment pour le personnel qualifié.
- Le personnel qualifié doit, avant de commencer toute opération, avoir lu soigneusement et compris le mode d'emploi.
- La responsabilité du fabricant n'est pas engagée en cas de dommages provoqués par une utilisation non conforme à l'usage prévu, de non respect de ce mode d'emploi, d'utilisation de personnel peu qualifié de même qu'en cas de modifications de l'instrument effectuées par l'utilisateur.
- Les conditions générales de vente mentionnées dans les documents de vente s'appliquent.
- Sous réserve de modifications techniques.
- Pour obtenir d'autres informations :
  - Consulter notre site Internet : [www.wika.fr](http://www.wika.fr)
  - Fiche technique correspondante : TE 65.58
  - Conseiller applications : Tél. : +33 1 343084-84  
Fax : +33 1 343084-94  
[info@wika.fr](mailto:info@wika.fr)

### Explication des symboles



#### **AVERTISSEMENT !**

... indique une situation présentant des risques susceptibles de provoquer la mort ou des blessures graves si elle n'est pas évitée.



#### **ATTENTION !**

... indique une situation potentiellement dangereuse et susceptible de provoquer de légères blessures ou des dommages matériels et pour l'environnement si elle n'est pas évitée.



#### **Information**

... met en exergue les conseils et recommandations utiles de même que les informations permettant d'assurer un fonctionnement efficace et normal.





### **DANGER !**

... indique les dangers liés au courant électrique. Danger de blessures graves ou mortelles en cas de non respect des consignes de sécurité.



### **AVERTISSEMENT !**

... indique une situation présentant des risques susceptibles de provoquer des brûlures dues à des surfaces ou liquides chauds si elle n'est pas évitée.

## 2. Sécurité



### **AVERTISSEMENT !**

Avant le montage, la mise en service et le fonctionnement, s'assurer que le thermocouple adéquat a été choisi en ce qui concerne l'étendue de mesure, la version et les conditions de mesure spécifiques.

Un non respect de cette consigne peut entraîner des blessures corporelles graves et/ou des dégâts matériels.



Vous trouverez d'autres consignes de sécurité dans les sections individuelles du présent mode d'emploi.

### **2.1 Utilisation conforme à l'usage prévu**

Ces capteurs sont utilisés à des fins de mesure de la température dans le cadre d'applications industrielles.

Cet instrument est conçu et construit exclusivement pour une utilisation conforme à l'usage prévu décrit ici, et ne doit être utilisé qu'à cet effet.

Les spécifications techniques mentionnées dans ce mode d'emploi doivent être respectées. En cas d'utilisation non conforme ou de fonctionnement de l'instrument en dehors des spécifications techniques, un arrêt et contrôle doivent être immédiatement effectués par un collaborateur autorisé du service de WIKA.

Aucune réclamation ne peut être recevable en cas d'utilisation non conforme à l'usage prévu.

### **2.2 Qualification du personnel**



### **AVERTISSEMENT !**

#### **Danger de blessure en cas de qualification insuffisante !**

Une utilisation non conforme peut entraîner d'importants dommages corporels et matériels.

- Les opérations décrites dans ce mode d'emploi ne doivent être effectuées que par un personnel ayant la qualification décrite ci-après.
- Tenir le personnel non qualifié à l'écart des zones dangereuses.

### Personnel qualifié

Le personnel qualifié est, en raison de sa formation spécialisée, de ses connaissances dans le domaine de la technique de mesure et de régulation et de ses expériences de même que de sa connaissance des prescriptions nationales, des normes et directives en vigueur, en mesure d'effectuer les travaux décrits et de reconnaître automatiquement les dangers potentiels.

Les conditions d'utilisation spéciales exigent également des connaissances adéquates, par exemple lors de l'installation d'un capteur dans un four.

### 2.3 Dangers particuliers

FR



#### AVERTISSEMENT !

Dans le cas de fluides de mesure dangereux comme l'oxygène, l'acétylène, les gaz ou liquides inflammables ou toxiques etc., les directives appropriées existantes doivent être observées en plus de l'ensemble des règles générales.



#### AVERTISSEMENT !

Protection nécessaire contre les décharges électrostatiques (DES) !  
L'utilisation conforme de surfaces de travail et de bracelets personnels mis à la terre est nécessaire lors des opérations effectuées avec des circuits ouverts (circuits imprimés) afin d'éviter une détérioration des composants électroniques sensibles due à une décharge électrostatique.

Afin de travailler en toute sécurité sur l'instrument, la société exploitante doit s'assurer

- qu'un équipement de premier secours adapté est disponible et que les premiers soins peuvent être dispensés sur place à tout moment en cas de besoin.
- que le personnel de service reçoit à intervalles réguliers des instructions relatives à toutes les questions pertinentes concernant la sécurité du travail, les premiers secours et la protection de l'environnement et qu'il connaît le mode d'emploi et particulièrement les consignes de sécurité contenues dans celui-ci.



#### AVERTISSEMENT !

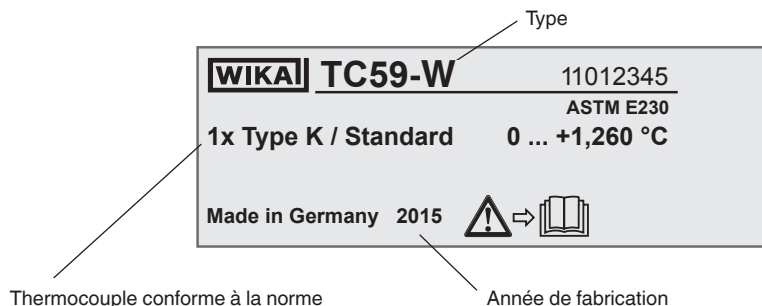
Les restes de fluides se trouvant en contact avec les instruments démontés peuvent mettre en danger les personnes, l'environnement ainsi que l'installation. Prendre des mesures de sécurité suffisantes.

Ne pas utiliser cet instrument dans des dispositifs de sécurité ou d'arrêt d'urgence. Une utilisation incorrecte de l'instrument peut occasionner des blessures.

En cas d'erreur, des fluides agressifs peuvent être présents à une température extrême et sous une pression élevée au niveau de l'instrument.

### 2.4 Etiquetage, marquages de sécurité

#### Plaque signalétique



FR

#### Explication des symboles



Lire impérativement le mode d'emploi avant le montage et la mise en service de l'instrument !

## 3. Spécifications

### Types de thermocouples

Type	Température d'utilisation max. conseillée	
	CEI 60584-1	ASTM E230
K	1.200 °C (2.192 °F)	1.260 °C (2.300 °F)
J	750 °C (1.382 °F)	760 °C (1.400 °F)
E	900 °C (1.652 °F)	870 °C (1.598 °F)
N	1.200 °C (2.192 °F)	1.260 °C (2.300 °F)

### Précision du capteur

Une température de jonction à froid de 0 °C (32 °F) est prise comme base avec la définition de la valeur de tolérance des thermocouples.

En cas d'utilisation d'un câble de compensation ou du câble de thermocouple, une erreur de mesure supplémentaire doit être prise en compte.

### 3. Spécifications

#### Valeurs de tolérance des thermocouples selon CEI 60584 / ASTM E230

Type	Précision du capteur	Classe	Plage de température	Précision du capteur
K N	CEI 60584-1	1	-40 ... +1.000 °C	$\pm 1,5$ °C ou $0,0040 \cdot  t $ <sup>1)2)</sup>
		2	-40 ... +1.200 °C	$\pm 2,5$ °C ou $0,0075 \cdot  t $
	ASTM E230	Spécial	0 ... +1.260 °C	$\pm 1,1$ °C ou $\pm 0,4$ %
		Standard	0 ... +1.260 °C	$\pm 2,2$ °C ou $\pm 0,75$ %
J	CEI 60584-1	1	-40 ... +750 °C	$\pm 1,5$ °C ou $0,0040 \cdot  t $
		2	-40 ... +750 °C	$\pm 2,5$ °C ou $0,0075 \cdot  t $
	ASTM E230	Spécial	0 ... +760 °C	$\pm 1,1$ °C ou $\pm 0,4$ %
		Standard	0 ... +760 °C	$\pm 2,2$ °C ou $\pm 0,75$ %
E	CEI 60584-1	1	-40 ... +800 °C	$\pm 1,5$ °C ou $0,0040 \cdot  t $
		2	-40 ... +900 °C	$\pm 2,5$ °C ou $0,0075 \cdot  t $
	ASTM E230	Spécial	0 ... +870 °C	$\pm 1,0$ °C ou $\pm 0,4$ %
		Standard	0 ... +870 °C	$\pm 1,7$ °C ou $\pm 0,5$ %

1) |t| est la valeur de température en °C sans prendre en compte le signe

2) La valeur supérieure s'applique

#### Erreur limite avec certaines températures en °C pour les thermocouples type K et type N

Température (ITS 90) °C	Valeur de tolérance CEI 60584-1	
	Classe 1	Classe 2
	°C	°C
0	$\pm 1,5$	$\pm 2,50$
100	$\pm 1,5$	$\pm 2,50$
200	$\pm 1,5$	$\pm 2,50$
300	$\pm 1,5$	$\pm 2,50$
400	$\pm 1,6$	$\pm 3,00$
500	$\pm 2,0$	$\pm 3,75$
600	$\pm 2,4$	$\pm 4,50$
700	$\pm 2,8$	$\pm 5,25$
800	$\pm 3,2$	$\pm 6,00$
900	$\pm 3,6$	$\pm 6,75$
1.000	$\pm 4,0$	$\pm 7,50$
1.100	-	$\pm 8,25$
1.200	-	$\pm 9,00$

Autres types de thermocouple sur demande

Pour de plus amples spécifications, voir la fiche technique WIKA TE 65.58 ou les Informations techniques IN 00.23 et la documentation de commande.

### 4. Conception et fonction

#### 4.1 Description

Les installations de thermocouples de peau type TC59-W WELD-PAD sont conçues pour mesurer la température de tuyaux situés typiquement à l'intérieurs de chauffe-eaux, unités de cokéfaction, fours, échangeurs de chaleur et tuyauteries extérieures.

Les considérations les plus importantes pour une mesure efficace de peau sont la répétabilité, la longévité et la précision. Pour atteindre ces fonctions, le thermocouple doit comprendre, dans son exécution, d'excellentes propriétés d'isolation, une compatibilité des matériaux et un bon contact physique avec le tuyau. Il doit aussi être capable de résister à de hautes températures de radiation et à de hautes contraintes, et, dans certains cas, aux fortes sollicitations des procédés de combustion chimiques.

Avec toutes les exécutions de thermocouple de peau, une installation correcte est primordiale. Une fixation incorrecte peut conduire, à l'arrivée, à des lectures de température imprécises.

#### Câble gainé

Le câble gainé (câble isolé minéralement, câble chemisé) est flexible. Le rayon de courbure minimal est de cinq fois le diamètre de la gaine.

Les TC59-W peuvent être installés en tant que capteurs à câble ou capteurs avec tête de raccordement. En option, un transmetteur de température peut être installé dans la tête de raccordement. Pour ce transmetteur de température, des instructions de fonctionnement séparées seront jointes.

#### 4.2 Détail de la livraison

Comparer le détail de la livraison avec le bordereau de livraison.

## 5. Transport, emballage et stockage

#### 5.1 Transport

Vérifier s'il existe des dégâts sur l'instrument liés au transport.  
Communiquer immédiatement les dégâts constatés.

#### 5.2 Emballage

N'enlever l'emballage qu'avant le montage.  
Conserver l'emballage, celui-ci offre, lors d'un transport, une protection optimale (par ex. changement de lieu d'utilisation, renvoi pour réparation).

### 5.3 Stockage

#### Conditions admissibles sur le lieu de stockage :

- Température de stockage : 0 ... 70 °C (32 ... 158 °F)
- Humidité : 35 ... 85 % d'humidité relative (sans condensation)

#### Eviter les influences suivantes (côté bornes, tête de raccordement) :

- Lumière solaire directe ou proximité d'objets chauds
- Vibrations mécaniques, chocs mécaniques (mouvements brusques en le posant)
- Suie, vapeur, poussière et gaz corrosifs
- Environnement présentant des risques d'explosion, atmosphères inflammables

Conservé l'instrument dans l'emballage original dans un endroit qui satisfait aux conditions susmentionnées. Si l'emballage d'origine n'est pas disponible, emballer et stocker l'instrument comme suit :

1. Placer l'instrument avec le matériau isolant dans l'emballage.
2. En cas de stockage long (plus de 30 jours), mettre également un sachet absorbant d'humidité dans l'emballage.

FR

## 6. Mise en service, utilisation



#### AVERTISSEMENT !

Lorsque le thermocouple est installé, la température ne doit pas baisser en-dessous de la température de fonctionnement autorisée (environnement, fluide) ni la dépasser, même si l'on tient compte de la convection et de la radiation de chaleur !



#### AVERTISSEMENT !

Les thermocouples doivent être mis à la terre (non isolés) si l'on peut s'attendre à des tensions dangereuses sur les câbles de connexion (causées, par exemple, par des dommages mécaniques, décharge électrostatique ou induction)!

### 6.1 Ensemble de l'installation

Ce qui suit est un guide pour l'installation de thermocouples de type WELD-PAD. Il donne des directives et des suggestions pour la préparation, l'installation et le soudage de thermocouples WELD-PAD. De par la variété d'applications, certaines des suggestions énoncées ici pourraient ne pas être appropriées. L'utilisateur final doit déterminer si ces instructions conviennent pour son application en particulier. Contacter WIKA si vous avez des questions concernant l'installation.

### 6.2 Avant de commencer

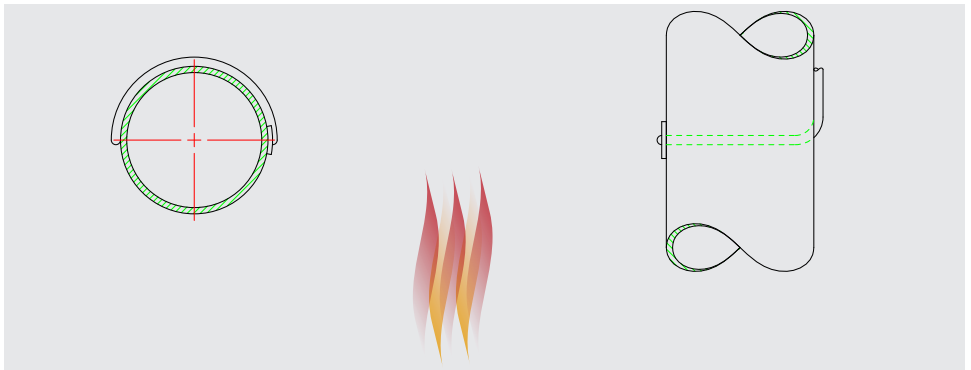
- Assurez-vous qu'il y a assez de câble chemisé pour atteindre le boîtier de raccordement pour chaque WELD-PAD, spécialement si une courbure sur site et des boucles d'expansion sont nécessaires.
- Eviter de faire passer un câble chemisé dans des zones chaudes.
- Conduire le thermocouple à câble chemisé en contact avec le côté le plus frais du tuyau. Ceci va accroître de manière substantielle la durée de vie.
- Assurez-vous que toutes les surfaces sont soudées par des méthodes appropriées.
- Lors du meulage, utiliser toujours des matériaux abrasifs propres qui n'ont pas été utilisés sur d'autres matériaux.
- Une brosse métallique ne convient pas pour nettoyer correctement le tuyau.
- Procéder à l'ajustement du thermocouple WELD-PAD à l'endroit désiré pour assurer qu'une longueur adéquate de câble chemisé était disponible.
- Vérifier que les courbures sont correctes et s'il y a assez de jeu pour le mouvement du tuyau.
- En se basant sur la procédure de soudure du client, déterminer le préchauffage approprié, l'interpasse et la composition du métal de remplissage de soudure pour les matériaux parentaux.
- Déterminer si un refroidissement contrôlé ou un traitement thermique post-soudage sont nécessaires.

### Rayon de courbure

Il faut toujours utiliser un courbeur de tuyau adéquat pour le diamètre correspondant du câble chemisé. Si vous utilisez un autre moyen de courbure, prenez alors des courbures ayant un rayon égal ou supérieur à celui d'un courbeur de tuyau. Le rayon de courbure minimal est de cinq fois le diamètre du câble chemisé.

### 6.3 Positionnement du capteur

Le WELD-PAD doit être situé sur le flux de chaleur maximal du tuyau sur lequel il est installé. Ceci doit être fait pour assurer la précision de lecture du WELD-PAD. Enlever les dépôts calcaires et la rouille du tuyau aux endroits requis pour la soudure au tuyau. Le câble chemisé doit conduire vers la partie fraîche du tuyau depuis la position du capteur.



### 6.4 Tests/Vérifications

- Tester la résistance de la boucle du circuit de thermocouple à température ambiante avant de souder ou de poser le WELD-PAD, enregistrer les résultats.
- Après avoir effectué la soudure ou la pose du WELD-PAD sur le tuyau, tester la résistance de boucle à température ambiante et comparer.
- ▶ Si un écart supérieur à 5 % se produit entre les lectures, merci de contacter WIKA.
- Effectuer toute évaluation non-destructive ou tout traitement de chaleur comme indiqué.
- Assurez-vous d'avoir l'épaisseur de paroi de tuyau adéquate sur les endroits de soudure. Ceci peut être vérifié par le contrôle d'épaisseur spécifique au client.

FR

### 6.5 Procédé de soudure

La soudure à l'arc sous gaz avec électrode de tungstène (GTAW) est le processus de soudure conseillé à cause de sa soudure relativement propre. Durant l'opération de soudure, il faut respecter les exigences des fiches techniques correspondantes de matériau et les directives et standards applicables concernant le traitement thermique, les consommables de soudage ou les procédures de soudage. Une installation correcte est une étape primordiale vers le succès d'un montage WELD-PAD. Bien que le WELD-PAD soit l'un des capteurs les plus robustes sur le marché, il peut être détruit par un soudage incorrect.

### 6.6 Soudage du WELD-PAD

- Placer le thermocouple au bon endroit sur le tuyau.
- Souder la plaque de thermocouple sur le tuyau.
- Utiliser une soudure d'angle de 3,2 mm (1/8") pour souder 3 côtés avec un seul passage continu (voir figure 1).



#### AVERTISSEMENT !

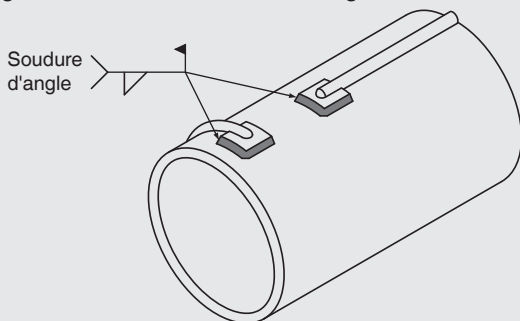
Ne pas souder l'extrémité où la tige quitte le WELD-PAD.



#### AVERTISSEMENT !

Assurez-vous que l'extrémité du thermocouple est en contact avec le tuyau du four.

Figure 1 : Détails concernant le soudage





## 6. Mise en service, utilisation

### 6.7 Soudage à pinces de tube

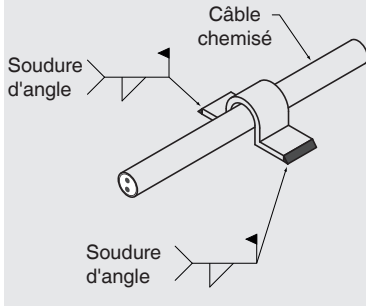
- Fixer les attaches aux endroits prédéterminés. Préchauffer la zone avant de souder si nécessaire.



Souder les extrémités d'attache de tuyau seulement et assurez-vous qu'il y a du jeu (aucune friction) entre le câble isolé minéralement et l'attache (voir figure 2).

- L'attache de tuyau doit permettre une expansion axiale du câble isolé minéralement.
- Souder les attaches au maximum tous les 300 mm (12") à 450 mm (18") de distance.

**Figure 2 : Soudage d'attache de tuyauterie**



FR

### 6.8 Boucles d'expansion

Les boucles d'expansion doivent être conçues pour permettre un mouvement maximal du tuyau depuis la position de départ vers la température d'exploitation. Les boucles doivent être exécutées en conformité avec l'espace dévolu disponible. Exemples de boucles d'expansion : boucle en S, spirale multiple, spirale simple et boucle de spirale.

**Boucle S**



**Spirale multiple**



**Spirale simple**



**Boucle de spirale**



### 6.9 Sortie du four

Le capteur doit sortir du four selon les exigences propres à l'installation. Le câble chemisé doit respecter les meilleures pratiques pour la pose.



#### AVERTISSEMENT !

Assurez-vous que le câble ne passe pas dans une flamme directe.

#### 6.9.1 Sortie fixe

Assembler l'extension de col de process comme l'exige l'installation.

Installer et serrer le raccord coulissant selon les spécifications du fabricant, si elles sont présentes.

FR



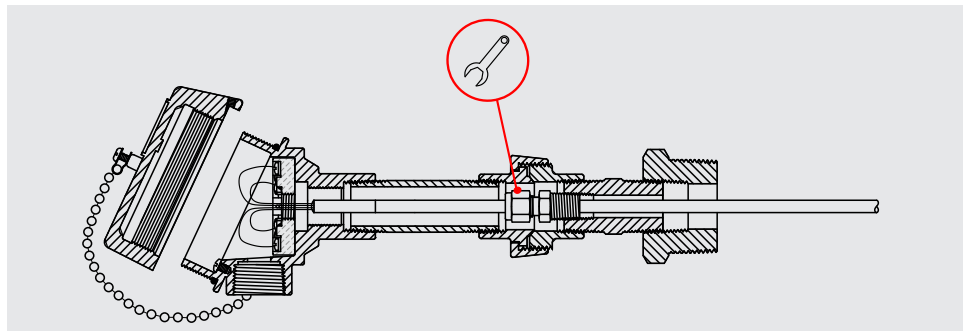
#### AVERTISSEMENT !

Ne pas placer de raccord coulissant sur la transition du thermocouple.

Monter l'extension de col de l'instrument comme l'exige l'installation.

Si c'est possible, fixer la tête de raccordement.

Connecter le capteur au boîtier de terminaison et terminer le raccordement électrique.



## 6. Mise en service, utilisation

### 6.9.2 Piston/Sortie de ressort

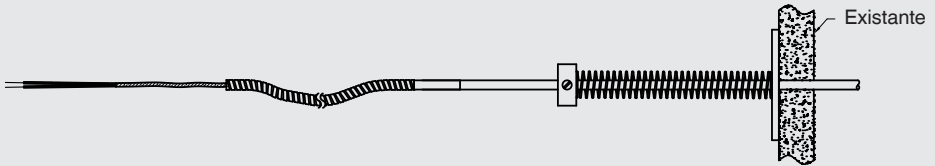
Rembourrer l'orifice de sortie de la paroi du four avec de la fibre céramique isolante haute-température (kaowool) pour conserver au frais les connexions extérieures. Installer la plaque et le ressort, serrer le collier à l'endroit voulu. Installer les rondelles fendues et le couvercle de tuyauterie.



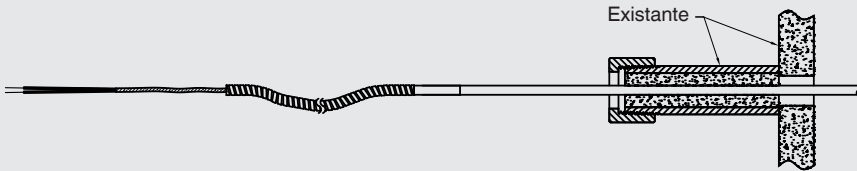
#### AVERTISSEMENT !

Veillez à ce que la transition de thermocouple ne dépasse pas 175 °C (350 °F) ; elle doit se trouver à 152 mm (6") de la connexion d'entrée du four.

#### Version montée sur ressort



#### Type piston



FR

## 6.10 Raccordement électrique



### ATTENTION !

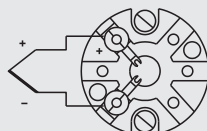
- Il faut éviter des dommages aux câbles, fils et points de connexion.
- Les fils aux extrémités dénudées doivent être munies de ferrules (confection de câbles).

Le raccordement électrique doit être effectué en fonction des connexions de capteur et de la configuration du raccordement indiquées ci-dessous :

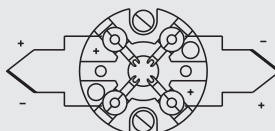
### Platine de raccordement en céramique

FR

Thermocouple unique



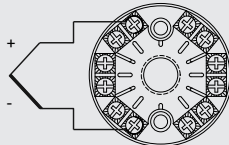
Thermocouple double



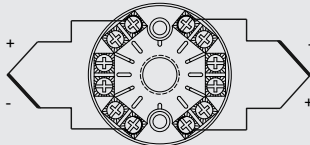
3166822.03

### Platine de raccordement en Crastin

Thermocouple unique



Thermocouple double



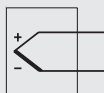
### Raccordement électrique

#### Câble

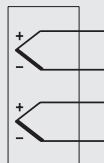
Codes de couleur des extrémités de fil, voir le tableau

3171966.01

Thermocouple unique



Thermocouple double



## 6. Mise en service, utilisation

### Code de couleur des câbles

#### ■ CEI 60584-3

Type de thermocouple	Branche positive	Branche négative
K	Vert	Blanc
J	Noir	Blanc
E	Violet	Blanc
N	Rose	Blanc

#### ■ ASTM E230

Type de thermocouple	Branche positive	Branche négative
K	Jaune	Rouge
J	Blanc	Rouge
E	Violet	Rouge
N	Orange	Rouge

FR

### 6.11 Connexions de câble

Le presse-étoupe doit être scellé pour assurer que la classe de protection requise est bien atteinte.

#### Conditions requises pour satisfaire à l'indice de protection

- Utiliser les presse-étoupes uniquement dans leur plage de serrage indiquée (le diamètre de câble doit être adapté au presse-étoupe).
- En cas d'utilisation de câbles très mous, ne pas utiliser la zone de serrage inférieure.
- Utiliser uniquement des câbles ronds (le cas échéant, à section légèrement ovale).
- Ne pas torsader le câble.
- Une ouverture/fermeture répétée est possible ; mais toutefois seulement si c'est nécessaire, car cela pourrait se produire au détriment de la classe de protection.
- Pour les câbles avec un comportement de flux froid prononcé, la connexion vissée doit être bien serrée.



#### ATTENTION !

Vérifier l'état des joints en recherchant des signes de fragilisation, et remplacer les joints si nécessaire.

### 6.12 Filetages coniques (NPT)

Les connexions avec filetage conique (NPT) sont auto-isolantes. Il faut vérifier s'il est nécessaire de les isoler en plus avec de la bande PTFE ou de l'isolant de filetage. Avant le montage, les filetages doivent être lubrifiés à l'aide d'un produit approprié.

Serrer les filetages à la main lors de l'assemblage final de l'installation. Ceci correspond au statut de livraison des composants pré-assemblés. Le serrage et l'isolation finaux doivent être effectués avec une clé (1,5 à 3 rotations).

### 7. Entretien

Ces thermocouples ne requièrent aucun entretien.  
Les réparations ne doivent être effectuées que par le fabricant.

### 8. Dysfonctionnements

Dysfonctionnements	Raisons	Mesures
<b>Aucun signal/ coupure de fil</b>	Charge mécanique trop élevée ou température excessive	Remplacer le capteur ou l'élément de mesure avec une conception adaptée
<b>Valeurs mesurées erronées (de thermocouples)</b>	Tensions parasites (tensions thermiques, tension galvanique) ou mauvais type de câble de thermocouple	Utiliser le type correct de câble de thermocouple
<b>Interférence du signal</b>	Courants vagabonds provoqués par des champs électriques ou des boucles de terre	Utilisation de câbles de connexion blindés, augmentation de la distance par rapport aux moteurs et lignes électriques
	Circuits de terre	Élimination des potentiels, utilisation de séparateurs d'alimentation ou de transmetteurs séparés galvaniquement

FR



#### ATTENTION !

Si des dysfonctionnements ne peuvent pas être éliminés à l'aide des mesures indiquées ci-dessus, arrêter immédiatement l'instrument et s'assurer de l'absence de pression et/ou de signal. Puis, sécuriser l'instrument afin d'empêcher toute remise en service involontaire.

Dans ce cas, contacter le fabricant.

S'il est nécessaire de retourner l'instrument au fabricant, merci de respecter les instructions mentionnées au chapitre 9.2 "Retour".

### 9. Démontage, retour et mise au rebut



#### AVERTISSEMENT !

Les restes de fluides se trouvant dans les instruments démontés peuvent mettre en danger les personnes, l'environnement ainsi que l'installation. Prendre des mesures de sécurité suffisantes.

#### 9.1 Démontage



#### AVERTISSEMENT !

Danger de brûlure !

Avant le démontage du thermomètre, laisser refroidir suffisamment l'instrument !  
Danger de brûlure lié à la sortie de fluides dangereux chauds.

FR

Déconnecter l'instrument seulement si le système a été mis hors pression !

#### 9.2 Retour



#### AVERTISSEMENT !

**En cas d'envoi de l'instrument, il faut respecter impérativement ceci :**

Tous les instruments livrés à WIKA doivent être exempts de toutes substances dangereuses (acides, solutions alcalines, solutions, etc.).

Pour retourner l'instrument, utiliser l'emballage original ou un emballage adapté pour le transport.

#### Pour éviter des dommages :

1. Placer l'instrument avec le matériau isolant dans l'emballage.  
Isoler de manière uniforme tous les côtés de l'emballage de transport.
2. Mettre si possible un sachet absorbant d'humidité dans l'emballage.
3. Indiquer lors de l'envoi qu'il s'agit d'un instrument de mesure très sensible à transporter.



Des informations relatives à la procédure de retour sont disponibles sur notre site Internet à la rubrique "Services".

#### 9.3 Mise au rebut

Une mise au rebut inadéquate peut entraîner des dangers pour l'environnement. Éliminer les composants des instruments et les matériaux d'emballage conformément aux prescriptions nationales pour le traitement et l'élimination des déchets et aux lois de protection de l'environnement en vigueur.





# Contenido

<b>1. Información general</b>	<b>58</b>
<b>2. Seguridad</b>	<b>59</b>
<b>3. Datos técnicos</b>	<b>61</b>
<b>4. Diseño y función</b>	<b>63</b>
<b>5. Transporte, embalaje y almacenamiento</b>	<b>63</b>
<b>6. Puesta en servicio, funcionamiento</b>	<b>64</b>
<b>7. Mantenimiento</b>	<b>72</b>
<b>8. Errores</b>	<b>72</b>
<b>9. Desmontaje, devolución y eliminación de residuos</b>	<b>73</b>

**ES**

## 1. Información general

- El termopar descrito en el manual de instrucciones está construido y fabricado según el estado actual de la técnica. Todos los componentes están sujetos a rigurosos criterios de calidad y medio ambiente durante la producción. Nuestros sistemas de gestión están certificados según ISO 9001 e ISO 14001.
- Este manual de instrucciones proporciona indicaciones importantes acerca del manejo del instrumento. Para un trabajo seguro, es imprescindible cumplir con todas las instrucciones de seguridad y manejo indicadas.
- Cumplir siempre las normativas sobre la prevención de accidentes y las normas de seguridad en vigor en el lugar de utilización del instrumento.
- El manual de instrucciones es una parte integrante del instrumento y debe guardarse en la proximidad del mismo para que el personal especializado pueda consultarlo en cualquier momento.
- El personal especializado debe haber leído y entendido el manual de instrucciones antes de comenzar cualquier trabajo.
- El fabricante queda exento de cualquier responsabilidad en caso de daños causados por un uso no conforme a la finalidad prevista, la inobservancia del presente manual de instrucciones, un manejo por personal insuficientemente cualificado así como una modificación no autorizada del instrumento.
- Se aplican las condiciones generales de venta incluidas en la documentación de venta.
- Modificaciones técnicas reservadas.
- Para obtener más informaciones consultar:
  - Página web: [www.wika.es](http://www.wika.es)
  - Hoja técnica correspondiente: TE 65.58
  - Servicio técnico: Tel.: +34 933 938 630  
Fax: +34 933 938 666  
[info@wika.es](mailto:info@wika.es)

ES

### Explicación de símbolos



#### ¡ADVERTENCIA!

... indica una situación probablemente peligrosa que puede causar la muerte o lesiones graves si no se la evita.



#### ¡CUIDADO!

... indica una situación probablemente peligrosa que puede causar lesiones leves o medianas, o daños materiales y medioambientales, si no se la evita.



#### Información

... destaca consejos y recomendaciones útiles así como informaciones para una utilización eficiente y libre de errores.



### ¡PELIGRO!

... identifica los peligros causados por la corriente eléctrica. Existe riesgo de lesiones graves o mortales si no se observan estas indicaciones de seguridad.



### ¡ADVERTENCIA!

... indica una situación probablemente peligrosa que puede causar quemaduras debido a superficies o líquidos calientes si no se evita.

## 2. Seguridad



### ¡ADVERTENCIA!

Antes del montaje, la puesta a servicio y el funcionamiento asegurarse de que se haya seleccionado el termopar adecuado con respecto a rango de medida, versión y condiciones de medición específicas.

Riesgo de lesiones graves y/o daños materiales en caso de inobservancia.



Los distintos capítulos de este manual de instrucciones contienen otras importantes indicaciones de seguridad.

### 2.1 Uso conforme a lo previsto

Estos sensores sirven para medir la temperatura en aplicaciones industriales.

El instrumento ha sido diseñado y construido únicamente para la finalidad prevista y debe utilizarse en conformidad a la misma.

Cumplir las especificaciones técnicas de este manual de instrucciones. Un manejo no apropiado o una utilización del instrumento no conforme a las especificaciones técnicas requiere la inmediata puesta fuera de servicio y la comprobación por parte de un técnico autorizado por WIKA.

No se admite ninguna reclamación debido a una utilización no conforme a lo previsto.

### 2.2 Cualificación del personal



### ¡ADVERTENCIA!

#### ¡Riesgo de lesiones debido a una insuficiente cualificación!

Un manejo no adecuado puede causar considerables daños personales y materiales.

- Las actividades descritas en este manual de instrucciones deben realizarse únicamente por personal especializado con la consiguiente cualificación.
- Mantener alejado a personal no cualificado de las zonas peligrosas.

### Personal especializado

Debido a su formación profesional, a sus conocimientos de la técnica de regulación y medición así como a su experiencia y su conocimiento de las normativas, normas y directivas vigentes en el país de utilización el personal especializado es capaz de ejecutar los trabajos descritos y reconocer posibles peligros por sí solo.

Condiciones de instalación especiales requieren conocimientos especiales avanzados, por ejemplo en cuanto a la instalación de sensores en hornos.

### 2.3 Riesgos específicos

ES



#### ¡ADVERTENCIA!

En el caso de medios peligrosos, como p. ej. oxígeno, acetileno, gases o líquidos inflamables o tóxicas, etc., deben observarse, además de todas las prescripciones generales, también las leyes y prescripciones específicas.



#### ¡ADVERTENCIA!

¡Es imprescindible una protección contra descarga electrostática (ESD)! La utilización apropiada de superficies de trabajo conectadas a tierra y de pulseras individuales es imprescindible para trabajos en circuitos abiertos (placas de circuitos impresos), para evitar daños a componentes electrónicos sensibles causados por descarga electrostática.

Para realizar un trabajo seguro en el instrumento el propietario ha de asegurarse de que,

- esté disponible un kit de primeros auxilios y que siempre esté presente ayuda en caso necesario.
- los operadores reciban periódicamente instrucciones, sobre todos los temas referidos a seguridad de trabajo, primeros auxilios y protección del medio ambiente, y conozcan además el manual de instrucciones y en particular las instrucciones de seguridad del mismo.



#### ¡ADVERTENCIA!

Si medios residuales entran en contacto con instrumentos de medición desmontados, esto puede presentar un peligro para personas, medio ambiente e instalación. Tomar las medidas de precaución adecuadas.

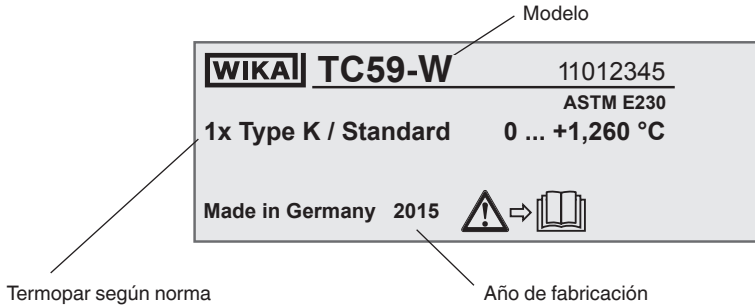
No utilizar este instrumento en sistemas de seguridad o dispositivos de parada de emergencia. Una utilización incorrecta del instrumento puede causar lesiones.

En caso de fallo es posible que haya medios agresivos con temperaturas extremas en el instrumento.

## 2. Seguridad / 3. Datos técnicos

### 2.4 Rótulos, marcajes de seguridad

#### Placa de identificación



#### Explicación de símbolos



¡Es absolutamente necesario leer el manual de instrucciones antes del montaje y la puesta en servicio del instrumento!

## 3. Datos técnicos

### Tipos de termopares

Modelo	Temperatura de servicio máx. recomendada	
	IEC 60584-1	ASTM E230
K	1.200 °C (2.192 °F)	1.260 °C (2.300 °F)
J	750 °C (1.382 °F)	760 °C (1.400 °F)
E	900 °C (1.652 °F)	870 °C (1.598 °F)
N	1.200 °C (2.192 °F)	1.260 °C (2.300 °F)

### Desviación límite

La desviación límite del termopar se basa en una temperatura de punto de comparación de 0 °C (32 °F).

En caso de aplicar un cable de compensación o un cable de extensión hay que considerar un error de medición adicional.

### 3. Datos técnicos

#### Desviaciones límite de los termopares según IEC 60584 / ASTM E230

Modelo	Desviación límite	Clase	Rango de temperatura	Desviación límite
K N	IEC 60584-1	1	-40 ... +1.000 °C	$\pm 1,5 \text{ °C o } 0,0040 \cdot  t $ <sup>1)2)</sup>
		2	-40 ... +1.200 °C	$\pm 2,5 \text{ °C ó } 0,0075 \cdot  t $
	ASTM E230	Especial	0 ... +1.260 °C	$\pm 1,1 \text{ °C ó } \pm 0,4 \%$
		Estándar	0 ... +1.260 °C	$\pm 2,2 \text{ °C ó } \pm 0,75 \%$
J	IEC 60584-1	1	-40 ... +750 °C	$\pm 1,5 \text{ °C ó } 0,0040 \cdot  t $
		2	-40 ... +750 °C	$\pm 2,5 \text{ °C ó } 0,0075 \cdot  t $
	ASTM E230	Especial	0 ... +760 °C	$\pm 1,1 \text{ °C ó } \pm 0,4 \%$
		Estándar	0 ... +760 °C	$\pm 2,2 \text{ °C ó } \pm 0,75 \%$
E	IEC 60584-1	1	-40 ... +800 °C	$\pm 1,5 \text{ °C ó } 0,0040 \cdot  t $
		2	-40 ... +900 °C	$\pm 2,5 \text{ °C ó } 0,0075 \cdot  t $
	ASTM E230	Especial	0 ... +870 °C	$\pm 1,0 \text{ °C ó } \pm 0,4 \%$
		Estándar	0 ... +870 °C	$\pm 1,7 \text{ °C ó } \pm 0,5 \%$

1) |t| es el valor numérico de la temperatura en °C sin considerar el signo

2) El valor más grande es válido

Error de medición limitado para temperaturas seleccionadas en °C para termopares de los tipos K y N

Temperatura (ITS 90) °C	Desviación límite IEC 60584-1	
	Clase 1	Clase 2
	°C	°C
0	$\pm 1,5$	$\pm 2,50$
100	$\pm 1,5$	$\pm 2,50$
200	$\pm 1,5$	$\pm 2,50$
300	$\pm 1,5$	$\pm 2,50$
400	$\pm 1,6$	$\pm 3,00$
500	$\pm 2,0$	$\pm 3,75$
600	$\pm 2,4$	$\pm 4,50$
700	$\pm 2,8$	$\pm 5,25$
800	$\pm 3,2$	$\pm 6,00$
900	$\pm 3,6$	$\pm 6,75$
1.000	$\pm 4,0$	$\pm 7,50$
1.100	-	$\pm 8,25$
1.200	-	$\pm 9,00$

Otros tipos de termopar a petición

Para más datos técnicos consulte la hoja técnica de WIKA TE 65.58 o la información técnica IN 00.23 y la documentación de pedido.

### 4. Diseño y función

#### 4.1 Descripción

Los termopares de superficie WELD-PAD modelo TC59-W se han diseñado para la medición de temperatura de tubos habitualmente montados en calderas, hornos de coque, hornos industriales, intercambiadores de calor y sistemas de tubería exteriores.

Las características más importantes para un diseño de termopar eficaz son la repetibilidad, una larga vida útil y la exactitud. Para realizar estas características funcionales, el termopar debe equiparse de un excelente aislamiento térmico y el material utilizado debe ser compatible y tener buen contacto con el tubo. Además debe resistir a una radiación térmica fuerte y a sollicitaciones mecánicas y, en algunos casos, también a las sollicitaciones debido a procesos de combustión química.

La instalación correcta es muy importante para todos los diseños de superficies de tubería. Una instalación incorrecta puede llevar a mediciones de temperatura falsificadas.

#### Encamisado

El cable encamisado (conductor con aislamiento mineral, cable MI) es flexible. El radio de flexión mínimo es cinco veces el diámetro de la envoltura.

Los modelos TC59-W están disponibles en cable flexible o como sensores con cabezal de conexión. Opcionalmente, un transmisor de temperatura puede montarse en el cabezal. Para este transmisor se adjunta un manual de instrucciones separado.

#### 4.2 Volumen de suministro

Comparar mediante el albarán si se han entregado todas las piezas.

## 5. Transporte, embalaje y almacenamiento

#### 5.1 Transporte

Comprobar si el instrumento presenta eventuales daños causados en el transporte. Notificar daños obvios de forma inmediata.

#### 5.2 Embalaje

No quitar el embalaje hasta justo antes del montaje.

Guardar el embalaje ya que es la protección ideal durante el transporte (por ejemplo si el lugar de instalación cambia o si se envía el instrumento para posibles reparaciones).

### 5.3 Almacenamiento

#### Condiciones admisibles en el lugar de almacenamiento:

- Temperatura de almacenamiento: 0 ... 70 °C (32 ... 158 °F)
- Humedad: 35 ... 85 % de humedad relativa (sin rocío)

#### Evitar lo siguiente (lado de bornes, cabezal):

- Luz solar directa o proximidad a objetos calientes
- Vibración mecánica, impacto mecánico (colocación brusca)
- Hollín, vapor, polvo y gases corrosivos
- Ambientes potencialmente explosivos, atmósferas inflamables

ES

Almacenar el instrumento en su embalaje original en un lugar que cumpla con las condiciones arriba mencionadas. Si no se dispone del embalaje original, empaquetar y almacenar el instrumento como sigue:

1. Colocar el instrumento junto con el material aislante en el embalaje.
2. Para un almacenamiento prolongado (más de 30 días) meter una bolsa con un secante en el embalaje.

## 6. Puesta en servicio, funcionamiento



#### ¡ADVERTENCIA!

¡No exceder la temperatura de servicio admisible (ambiente, medio) durante el montaje del termopar, respetando también la convección y la radiación térmica!



#### ¡ADVERTENCIA!

¡En caso de posibles tensiones eléctricas (causados p.ej. por daños mecánicos, o descarga electrostática o inducción) los hilos de conexión de los termopares deben estar conectados a tierra!

### 6.1 Volumen de los trabajos de instalación

El presente documento es una guía para la instalación de termopares para superficie de tubería WELD-PAD. Contiene instrucciones e indicaciones relativas a la preparación, instalación y soldadura de termopares WELD-PAD. Debido a la gran diversidad de aplicaciones puede ser que no se apliquen algunas indicaciones. El usuario debe decidir si estas indicaciones son adecuadas para la aplicación correspondiente. Si tiene preguntas en cuanto a la instalación consulte a WIKA.



## 6. Puesta en servicio, funcionamiento

### 6.2 Antes de empezar

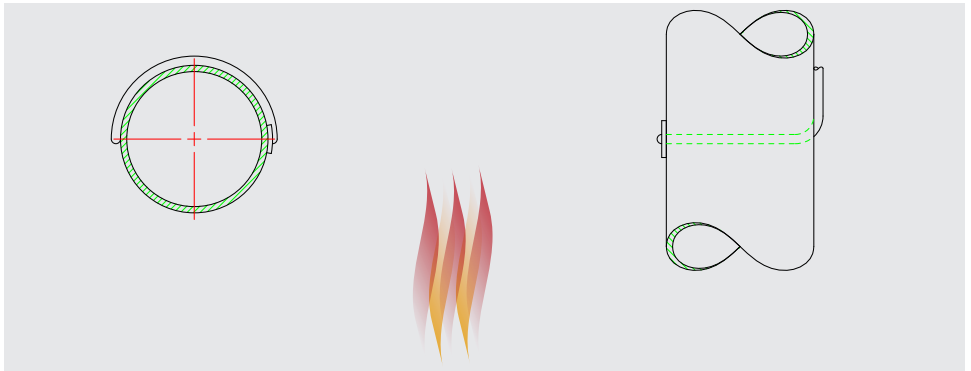
- Asegurar que esté disponible suficiente encamisado para la conexión a la caja terminal para todos los termopares WELD-PAD. Esto se requiere sobre todo si se necesitan curvaturas y curvas de extensión en el lugar de utilización.
- Evitar la colocación de encamisado pasando por zonas calientes.
- Colocar el encamisado a lo largo del lado más frío del tubo. Esto aumenta notablemente la vida útil.
- Asegurar que todas las superficies a soldar se limpien mediante métodos adecuados.
- Para rectificar, siempre utilizar materiales limpios abrasivos que no se han utilizados para otros materiales antes.
- Cepillos metálicos no son aptos para la limpieza adecuada del tubo.
- Fijación de prueba del termopar WELD-PAD en el lugar de instalación deseado para garantizar que el encamisado tenga la longitud correcta.
- Garantizar que todas las curvas sean correctas y que se ha previsto un margen suficiente para el movimiento del tubo.
- Determinar el precalentamiento, las capas intermedias y la composición de los consumibles de soldadura aptos para el procedimiento de soldadura para los materiales de base.
- Comprobar si se requiere una refrigeración controlada o un tratamiento térmico después de la soldadura.

### Radio de curvatura

Siempre utilizar una curvadora de tubos adecuado para curvar el encamisado de modo que se alcance el radio deseado. Si se curva mediante otros medios, utilizar radios que corresponden con el radio de la curvadora de tubos o que son mayores. El radio de curvatura mínimo es cinco veces el diámetro del encamisado.

### 6.3 Posicionamiento del sensor

En cuanto a los sopletes, el WELD-PAD debe posicionarse en el punto del tubo con el mayor flujo de calor. Esto se requiere para garantizar la exactitud de medición del WELD-PAD. Quite la cascarilla y la herrumbre del tubo en los puntos a soldar. El encamisado debe ir desde la posición del sensor hacia el lado frío del tubo.



## 6. Puesta en servicio, funcionamiento

### 6.4 Comprobaciones

- Comprobar la resistencia de bucle del circuito eléctrico del termopar del WELD-PAD a temperatura ambiente y anotar el resultado antes de la soldadura/colocación.
- Después de la soldadura/colocación del WELD-PAD, comprobar la resistencia de bucle a temperatura ambiente y comparar los resultados.
- ▶ Si los valores de medición superen los 5 %, consulte a WIKA.
- En función de las exigencias, efectuar ensayos no destructivos o tratamientos térmicos.
- Asegurar un espesor de pared suficiente del tubo en los puntos de soldadura. Esto puede realizarse mediante una prueba del espesor de pared si lo exige el cliente.

### 6.5 Proceso de soldadura

Debido a la necesidad de una soldadura relativamente limpia se recomienda la soldadura TIG como procedimiento de soldadura. Para los trabajos de soldadura, observar las indicaciones en las hojas de datos de materiales correspondientes y en las directivas y normas pertinentes en cuanto al tratamiento térmico, los consumibles de soldadura o los procedimientos de soldadura. Un montaje correcto contribuye notablemente al éxito de una instalación WELD-PAD. A pesar de que el WELD-PAD es uno de los sensores más estables disponibles puede destruirse por una soldadura no adecuada.

### 6.6 Soldadura del WELD-PAD

- Posicionar el termopar en el lugar corrector en el tubo.
- Soldar el pad de fijación al tubo.
- Soldar 3 lados en una operación con una soldadura en ángulo de 3,2 mm (1/8") (véase la ilustración 1).



#### ¡ADVERTENCIA!

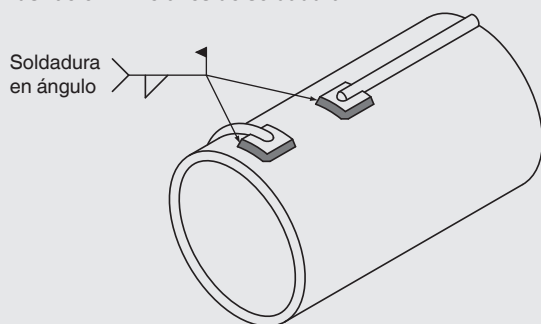
No soldar el extremo en que salga la envoltura del WELD-PAD.



#### ¡ADVERTENCIA!

Asegurarse de que la punta del termopar tenga contacto con el tubo del horno.

Ilustración 1: Detalles de soldadura



## 6. Puesta en servicio, funcionamiento

### 6.7 Soldadura de las abrazaderas de tubo

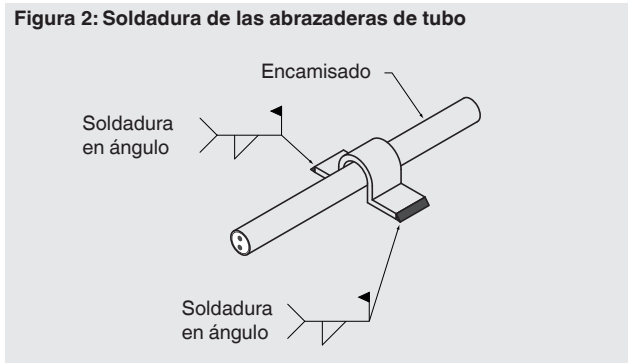
- Fijar las abrazaderas en las posiciones indicadas. Si necesario, precalentar la zona antes de soldar.



Soldar solamente los extremos de las abrazaderas y garantizar que haya un poco de juego (ninguna fricción) entre el encamisado y la abrazadera (véase la figura 2).

- La abrazadera debe permitir una expansión axial del encamisado.
- Soldar las abrazaderas al tubo a una distancia de cada vez 300 mm (12") a 450 mm (18") una de la otra.

Figura 2: Soldadura de las abrazaderas de tubo



ES

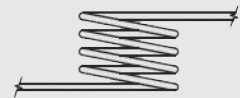
### 6.8 Curvas de expansión

Las curvas de expansión deberían ser diseñadas de forma que permitan un movimiento máximo del tubo desde la posición de inicio hasta alcanzar la temperatura de servicio. Las curvas deberían estar diseñadas en función del espacio disponible. Ejemplos de curvas de expansión son la curva de S, la vuelta simple, la vuelta múltiple y la curva helicoidal.

Curva de S



Vuelta múltiple



Vuelta simple



Curva helicoidal



### 6.9 Salida del horno

El sensor debería salir del horno según las exigencias de instalación. El cable MI debe colocarse según procedimientos recomendados.



#### ¡ADVERTENCIA!

Asegure que el cable no pase directamente por llamas.

#### 6.9.1 Salida instalada fijamente

Montar la prolongación del tubo de cuello según las exigencias de instalación. Instalar y apretar el racor deslizante según las indicaciones del fabricante siempre y cuando éstas se hayan suministrado.



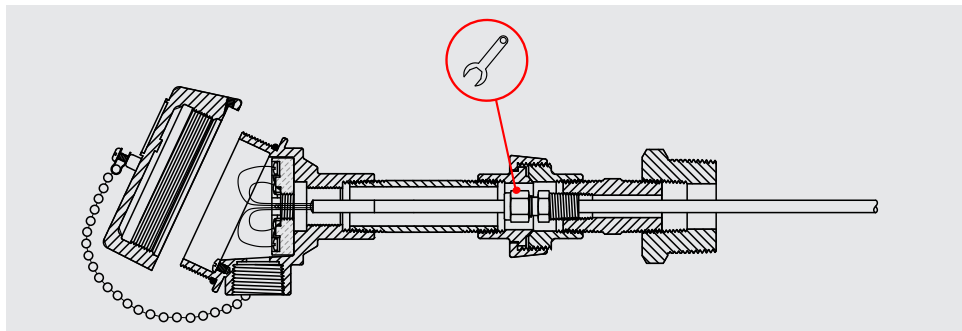
#### ¡ADVERTENCIA!

No posicionar el racor deslizante en el paso del termopar.

Montar la prolongación del tubo de cuello según las exigencias de instalación.

Si aplicable, unir el cabezal.

Unir el sensor con el terminal y tapar la conexión eléctrica.



## 6. Puesta en servicio, funcionamiento

### 6.9.2 Salida para pistón/resorte

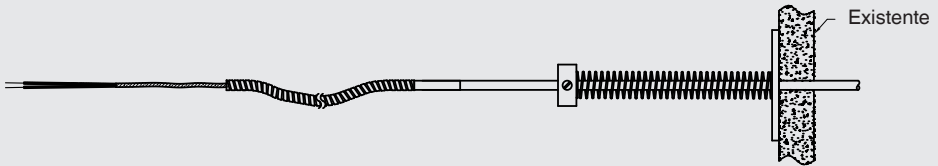
Rellenar la abertura de salida en la pared del horno con un aislamiento de fibra cerámica resistentes a la temperatura (Kaowool) para mantener frías las conexiones exteriores. Instalar la placa y el resorte y apretar el collar en el punto deseado. Instalar las arandelas de presión y el cierre para tubo.



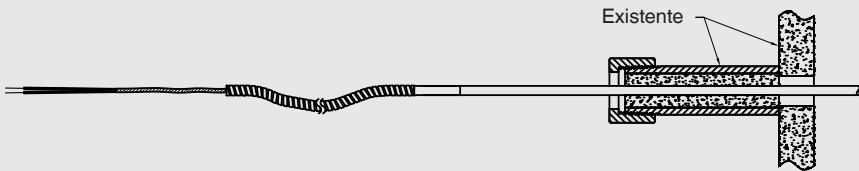
#### ¡ADVERTENCIA!

Garantizar que no haya temperaturas superiores a 175 °C (350 °F) en el paso del termopar y que el paso tenga una distancia mínima de 152 mm (6") a la conexión de entrada del horno.

#### Variante con resorte



#### Tipo de pistón



ES

## 6.10 Conexión eléctrica



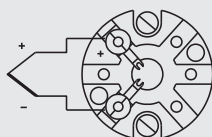
### ¡CUIDADO!

- Prevenir defectos en cables, conductos y puntos de conexión.
- Dotar los extremos de cable libres con virolas de cable (confección de cables).

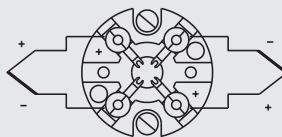
Conexión eléctrica según las siguientes conexiones del sensor/las asignaciones de bornes:

### Zócalo de apriete de cerámica

Termopar individual



Termopar doble

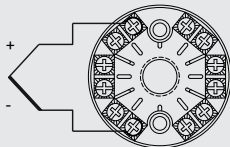


3166822.03

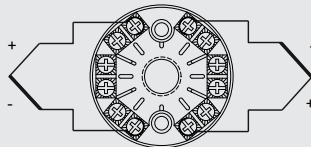
ES

### Zócalo de apriete de Crastin

Termopar individual



Termopar doble



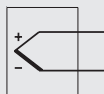
### Cable de conexión

#### Cable

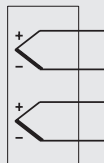
Para el marcaje de color de los terminales de conductores, véase la tabla

3171966.01

Termopar individual



Termopar doble



## 6. Puesta en servicio, funcionamiento

### Codificación de color de los cables

#### ■ IEC 60584-3

Tipo de termopares	Polo positivo	Polo negativo
K	Verde	Blanco
J	Negro	Blanco
E	Violeta	Blanco
N	Rosa	Blanco

#### ■ ASTM E230

Tipo de termopares	Polo positivo	Polo negativo
K	Amarillo	Rojo
J	Blanco	Rojo
E	Violeta	Rojo
N	Naranja	Rojo

ES

### 6.11 Prensaestopas

El prensaestopa debe obturarse para obtener el tipo de protección necesario.

#### Condiciones previas para conseguir el grado de protección

- Utilizar el prensaestopa sólo en la zona indicada de los bornes (diámetro del cable en función de las dimensiones del prensaestopa)
- No utilizar el rango de borne inferior con cables muy blandos.
- Sólo utilizar cables redondos (o de sección ligeramente ovalada).
- No torcer el cable.
- Es posible abrir y cerrar repetidamente; sin embargo puede afectar el grado de protección
- En cables de elevada susceptibilidad a efectos causados por flujo en frío se debe reapretar el prensaestopa.



#### ¡CUIDADO!

Controlar si las obturaciones presentan fragilizaciones y sustituirlas si fuera necesario

### 6.12 Roscas cónicas (NPT)

Uniones con roscas cónicas (NPT) son autoselladores. Se debe comprobar la necesidad de una junta adicional mediante cinta PTFE o sellador de roscas. Además se recomienda lubricar las roscas con sustancias adecuadas antes del montaje.

En el montaje final en la instalación hay que apretar primero las roscas manualmente. De ese modo se suministran también los componentes previamente montados. Al final hay que apretar y obturar las roscas utilizando una llave de tornillos (1,5 a 3 rotaciones).

### 7. Mantenimiento

Esos termopares no requieren mantenimiento.  
Todas las reparaciones solamente las debe efectuar el fabricante.

### 8. Errores

Errores	Causas	Medidas
<b>Sin señal/rotura de cable</b>	Carga mecánica excesiva o temperaturas extremas	Sustituir el sensor o la unidad extraíble por una versión adecuada
<b>Valores de medición erróneos (termopares)</b>	Tensiones parásitas (tensiones termoeléctricas, tensión galvánica) o cable de extensión incorrecto	Utilice el tipo de cable correcto para el termopar.
<b>Señal perturbada</b>	Interferencia por campos eléctricos o bucles de tierra	Utilizar líneas de conexión blindadas, aumentar la distancia a motores y líneas bajo corriente
	Bucles de tierra	Eliminación de los potenciales, utilización de barreras o transmisores con aislamiento galvánico

#### **¡CUIDADO!**



Si no es posible eliminar los fallos mediante las medidas arriba mencionadas, poner inmediatamente el instrumento fuera de servicio; asegurarse de que ya no esté sometido a ninguna presión o señal y proteger el instrumento contra una puesta en servicio accidental o errónea.

En este caso ponerse en contacto con el fabricante.

En caso de devolución, observar las indicaciones del capítulo 9.2 “Devoluciones”.



### 9. Desmontaje, devolución y eliminación de residuos



#### ¡ADVERTENCIA!

Medios residuales en el instrumento desmontado pueden causar riesgos para personas, medio ambiente e instalación. Tomar las medidas de precaución adecuadas.

#### 9.1 Desmontaje



#### ¡ADVERTENCIA!

¡Riesgo de quemaduras!

¡Dejar enfriar el instrumento lo suficiente antes de desmontarlo!

Peligro debido a medios muy calientes que se escapan durante el desmontaje.

¡Desmontar el instrumento sólo si no está sometido a presión!

#### 9.2 Devolución



#### ¡ADVERTENCIA!

**Es imprescindible observar lo siguiente para el envío del instrumento:**

Todos los instrumentos enviados a WIKA deben estar libres de sustancias peligrosas (ácidos, lejías, soluciones, etc.).

Utilizar el embalaje original o un embalaje adecuado para la devolución del instrumento.

#### Para evitar daños:

1. Colocar el instrumento junto con el material aislante en el embalaje.  
Aislar uniformemente todos los lados del embalaje de transporte.
2. Si es posible, adjuntar una bolsa con secante.
3. Aplicar un marcado de que se trata del envío de un instrumento de medición altamente sensible.



Comentarios sobre el procedimiento de las devoluciones encuentra en el apartado “Servicio” en nuestra página web local.

#### 9.3 Eliminación de residuos

Una eliminación incorrecta puede provocar peligros para el medio ambiente.

Eliminar los componentes de los instrumentos y los materiales de embalaje conforme a los reglamentos relativos al tratamiento de residuos y eliminación vigentes en el país de utilización.





WIKA subsidiaries worldwide can be found online at [www.wika.com](http://www.wika.com).  
WIKA-Niederlassungen weltweit finden Sie online unter [www.wika.de](http://www.wika.de).  
La liste des filiales WIKA dans le monde se trouve sur [www.wika.fr](http://www.wika.fr).  
Sucursales WIKA en todo el mundo puede encontrar en [www.wika.es](http://www.wika.es).



**WIKAL Alexander Wiegand SE & Co. KG**

Alexander-Wiegand-Strasse 30

63911 Klingenberg • Germany

Tel. +49 9372 132-0

Fax +49 9372 132-406

[info@wika.de](mailto:info@wika.de)

[www.wika.de](http://www.wika.de)